

ORDERING INFORMATION

LUMINAIRE	FINISH	OPTICAL	ANGLE	LENGTH	COLOR QUALITY	COLOR TEMP	CRI	INSTALL ACCS.	IP/IK GRADE	CONTROL OPTOINS	
U514128	White	Prismatic Lens	85Deg	1208mm	3-Step MacAdam	3000K	80+CRI	Aircraft cable pendant Ceiling Mounting	IP22 IK06	G1- On/off	
	Black			1508mm		4000K	90+CRI			G2- 0-10V	
	Silver						2700K-4000K				G3- DALI
											G4- Dmx

1. Blueview's standard is 3-Step MacAdam

2. The listed Color Temperature is only available in CRI80+ in Epistar Chips, for 95+, 90+ in Epistar and Sumsung chips, pls. check the list on following page. For more options, pls. check with your executive sales.

SPECIFICATION

Luminaire: U5141, Optical: Prismatic Lens Efficiency: 85lm/W, LED: Epistar, Driver: Lifud									
ORDERING CODE	OPTICAL	ANGLE	UGR	LENGTH	POWER	LUMEN	RA	CCT	DIM
U5141PM15W12830G1	Prismatic Lens	85°	<22	L1208mm	15.0W	1275lm	80+	3000K	On-Off
U5141PM15W12830G2	Prismatic Lens	85°	<22	L1208mm	15.5W	1275lm	80+	3000K	0-10V
U5141PM15W12830G3	Prismatic Lens	85°	<22	L1208mm	15.5W	1275lm	80+	3000K	DALI
U5141PM15W12930G1	Prismatic Lens	85°	<22	L1208mm	15.0W	1148lm	90+	3000K	On-Off
U5141PM15W12930G2	Prismatic Lens	85°	<22	L1208mm	15.5W	1148lm	90+	3000K	0-10V
U5141PM15W12930G3	Prismatic Lens	85°	<22	L1208mm	15.5W	1148lm	90+	3000K	DALI
U5141PM15W12840G1	Prismatic Lens	85°	<22	L1208mm	15.0W	1313lm	80+	4000K	On-Off
U5141PM15W12840G2	Prismatic Lens	85°	<22	L1208mm	15.5W	1313lm	80+	4000K	0-10V
U5141PM15W12840G3	Prismatic Lens	85°	<22	L1208mm	15.5W	1313lm	80+	4000K	DALI
U5141PM15W12940G1	Prismatic Lens	85°	<22	L1208mm	15.0W	1182lm	90+	4000K	On-Off
U5141PM15W12940G2	Prismatic Lens	85°	<22	L1208mm	15.5W	1182lm	90+	4000K	0-10V
U5141PM15W12940G3	Prismatic Lens	85°	<22	L1208mm	15.5W	1182lm	90+	4000K	DALI
U5141PM15W1282740G1	Prismatic Lens	85°	<22	L1208mm	15.0W	1211lm	80+	2700-4000K	On-Off
U5141PM15W1282740G2	Prismatic Lens	85°	<22	L1208mm	15.5W	1211lm	80+	2700-4000K	0-10V
U5141PM15W1282740G3	Prismatic Lens	85°	<22	L1208mm	15.5W	1211lm	80+	2700-4000K	DALI
U5141PM15W1292740G1	Prismatic Lens	85°	<22	L1208mm	15.0W	1090lm	90+	2700-4000K	On-Off
U5141PM15W1292740G2	Prismatic Lens	85°	<22	L1208mm	15.5W	1090lm	90+	2700-4000K	0-10V
U5141PM15W1292740G3	Prismatic Lens	85°	<22	L1208mm	15.5W	1090lm	90+	2700-4000K	DALI

SPECIFICATION

Luminaire: U5141 Optical: Prismatic Lens , Efficiency: 105lm/W, LED: Epistar, Driver: Lifud									
ORDERING CODE	OPTICAL	ANGLE	UGR	LENGTH	POWER	LUMEN	RA	CCT	DIM
U5141PM15W12830M1	Prismatic Lens	85°	<22	L1208mm	15.0W	1575lm	80+	3000K	On-Off
U5141PM15W12830M2	Prismatic Lens	85°	<22	L1208mm	15.5W	1575lm	80+	3000K	0-10V
U5141PM15W12830M3	Prismatic Lens	85°	<22	L1208mm	15.5W	1575lm	80+	3000K	DALI
U5141PM15W12930M1	Prismatic Lens	85°	<22	L1208mm	15.0W	1418lm	90+	3000K	On-Off
U5141PM15W12930M2	Prismatic Lens	85°	<22	L1208mm	15.5W	1418lm	90+	3000K	0-10V
U5141PM15W12930M3	Prismatic Lens	85°	<22	L1208mm	15.5W	1418lm	90+	3000K	DALI
U5141PM15W12840M1	Prismatic Lens	85°	<22	L1208mm	15.0W	1622lm	80+	4000K	On-Off
U5141PM15W12840M2	Prismatic Lens	85°	<22	L1208mm	15.5W	1622lm	80+	4000K	0-10V
U5141PM15W12840M3	Prismatic Lens	85°	<22	L1208mm	15.5W	1622lm	80+	4000K	DALI
U5141PM15W12940M1	Prismatic Lens	85°	<22	L1208mm	15.0W	1460lm	90+	4000K	On-Off
U5141PM15W12940M2	Prismatic Lens	85°	<22	L1208mm	15.5W	1460lm	90+	4000K	0-10V
U5141PM15W12940M3	Prismatic Lens	85°	<22	L1208mm	15.5W	1460lm	90+	4000K	DALI
U5141PM15W1282740M1	Prismatic Lens	85°	<22	L1208mm	15.0W	1496lm	80+	2700-4000K	On-Off
U5141PM15W1282740M2	Prismatic Lens	85°	<22	L1208mm	15.5W	1496lm	80+	2700-4000K	0-10V
U5141PM15W1282740M3	Prismatic Lens	85°	<22	L1208mm	15.5W	1496lm	80+	2700-4000K	DALI
U5141PM15W1292740M1	Prismatic Lens	85°	<22	L1208mm	15.0W	1347lm	90+	2700-4000K	On-Off
U5141PM15W1292740M2	Prismatic Lens	85°	<22	L1208mm	15.5W	1347lm	90+	2700-4000K	0-10V
U5141PM15W1292740M3	Prismatic Lens	85°	<22	L1208mm	15.5W	1347lm	90+	2700-4000K	DALI

SPECIFICATION

Luminaire: ZOLI, Optical: Prismatic Lens, Efficiency: 123lm/W, LED: Epistar, Driver: Lifud									
ORDERING CODE	OPTICAL	ANGLE	UGR	LENGTH	POWER	LUMEN	RA	CCT	DIM
U5141PM15W12830P1	Prismatic Lens	85°	<22	L1208mm	15.0W	1845lm	80+	3000K	On-Off
U5141PM15W12830P2	Prismatic Lens	85°	<22	L1208mm	15.5W	1845lm	80+	3000K	0-10V
U5141PM15W12830P3	Prismatic Lens	85°	<22	L1208mm	15.5W	1845lm	80+	3000K	DALI
U5141PM15W12930P1	Prismatic Lens	85°	<22	L1208mm	15.0W	1661lm	90+	3000K	On-Off
U5141PM15W12930P2	Prismatic Lens	85°	<22	L1208mm	15.5W	1661lm	90+	3000K	0-10V
U5141PM15W12930P3	Prismatic Lens	85°	<22	L1208mm	15.5W	1661lm	90+	3000K	DALI
U5141PM15W12840P1	Prismatic Lens	85°	<22	L1208mm	15.0W	1900lm	80+	4000K	On-Off
U5141PM15W12840P2	Prismatic Lens	85°	<22	L1208mm	15.5W	1900lm	80+	4000K	0-10V
U5141PM15W12840P3	Prismatic Lens	85°	<22	L1208mm	15.5W	1900lm	80+	4000K	DALI
U5141PM15W12940P1	Prismatic Lens	85°	<22	L1208mm	15.0W	1710lm	90+	4000K	On-Off
U5141PM15W12940P2	Prismatic Lens	85°	<22	L1208mm	15.5W	1710lm	90+	4000K	0-10V
U5141PM15W12940P3	Prismatic Lens	85°	<22	L1208mm	15.5W	1710lm	90+	4000K	DALI
U5141PM15W1282740P1	Prismatic Lens	85°	<22	L1208mm	15.0W	1753lm	80+	2700-4000K	On-Off
U5141PM15W1282740P2	Prismatic Lens	85°	<22	L1208mm	15.5W	1753lm	80+	2700-4000K	0-10V
U5141PM15W1282740P3	Prismatic Lens	85°	<22	L1208mm	15.5W	1753lm	80+	2700-4000K	DALI
U5141PM15W1292740P1	Prismatic Lens	85°	<22	L1208mm	15.0W	1577lm	90+	2700-4000K	On-Off
U5141PM15W1292740P2	Prismatic Lens	85°	<22	L1208mm	15.5W	1577lm	90+	2700-4000K	0-10V
U5141PM15W1292740P3	Prismatic Lens	85°	<22	L1208mm	15.5W	1577lm	90+	2700-4000K	DALI

SPECIFICATION

Luminaire: U5141, Optical: Prismatic Lens, Efficiency: 85lm/W, LED: Epistar, Driver: Lifud									
ORDERING CODE	OPTICAL	ANGLE	UGR	LENGTH	POWER	LUMEN	RA	CCT	DIM
U5141PM27W12830G1	Prismatic Lens	85°	<22	L1208mm	27.0W	2295lm	80+	3000K	On-Off
U5141PM27W12830G2	Prismatic Lens	85°	<22	L1208mm	27.8W	2295lm	80+	3000K	0-10V
U5141PM27W12830G3	Prismatic Lens	85°	<22	L1208mm	27.8W	2295lm	80+	3000K	DALI
U5141PM27W12930G1	Prismatic Lens	85°	<22	L1208mm	27.0W	2066lm	90+	3000K	On-Off
U5141PM27W12930G2	Prismatic Lens	85°	<22	L1208mm	27.8W	2066lm	90+	3000K	0-10V
U5141PM27W12930G3	Prismatic Lens	85°	<22	L1208mm	27.8W	2066lm	90+	3000K	DALI
U5141PM27W12840G1	Prismatic Lens	85°	<22	L1208mm	27.0W	2364lm	80+	4000K	On-Off
U5141PM27W12840G2	Prismatic Lens	85°	<22	L1208mm	27.8W	2364lm	80+	4000K	0-10V
U5141PM27W12840G3	Prismatic Lens	85°	<22	L1208mm	27.8W	2364lm	80+	4000K	DALI
U5141PM27W12940G1	Prismatic Lens	85°	<22	L1208mm	27.0W	2127lm	90+	4000K	On-Off
U5141PM27W12940G2	Prismatic Lens	85°	<22	L1208mm	27.8W	2127lm	90+	4000K	0-10V
U5141PM27W12940G3	Prismatic Lens	85°	<22	L1208mm	27.8W	2127lm	90+	4000K	DALI
U5141PM27W1282740G1	Prismatic Lens	85°	<22	L1208mm	27.0W	2180lm	80+	2700-4000K	On-Off
U5141PM27W1282740G2	Prismatic Lens	85°	<22	L1208mm	27.8W	2180lm	80+	2700-4000K	0-10V
U5141PM27W1282740G3	Prismatic Lens	85°	<22	L1208mm	27.8W	2180lm	80+	2700-4000K	DALI
U5141PM27W1292740G1	Prismatic Lens	85°	<22	L1208mm	27.0W	1962lm	90+	2700-4000K	On-Off
U5141PM27W1292740G2	Prismatic Lens	85°	<22	L1208mm	27.8W	1962lm	90+	2700-4000K	0-10V
U5141PM27W1292740G3	Prismatic Lens	85°	<22	L1208mm	27.8W	1962lm	90+	2700-4000K	DALI

SPECIFICATION

Luminaire: ZOLI, Optical: Prismatic Lens , Efficiency: 105lm/W, LED: Epistar, Driver: Lifud									
ORDERING CODE	OPTICAL	ANGLE	UGR	LENGTH	POWER	LUMEN	RA	CCT	DIM
U5141PM27W12830M1	Prismatic Lens	85°	<22	L1208mm	27.0W	2835lm	80+	3000K	On-Off
U5141PM27W12830M2	Prismatic Lens	85°	<22	L1208mm	27.8W	2835lm	80+	3000K	0-10V
U5141PM27W12830M3	Prismatic Lens	85°	<22	L1208mm	27.8W	2835lm	80+	3000K	DALI
U5141PM27W12930M1	Prismatic Lens	85°	<22	L1208mm	27.0W	2552lm	90+	3000K	On-Off
U5141PM27W12930M2	Prismatic Lens	85°	<22	L1208mm	27.8W	2552lm	90+	3000K	0-10V
U5141PM27W12930M3	Prismatic Lens	85°	<22	L1208mm	27.8W	2552lm	90+	3000K	DALI
U5141PM27W12840M1	Prismatic Lens	85°	<22	L1208mm	27.0W	2920lm	80+	4000K	On-Off
U5141PM27W12840M2	Prismatic Lens	85°	<22	L1208mm	27.8W	2920lm	80+	4000K	0-10V
U5141PM27W12840M3	Prismatic Lens	85°	<22	L1208mm	27.8W	2920lm	80+	4000K	DALI
U5141PM27W12940M1	Prismatic Lens	85°	<22	L1208mm	27.0W	2628lm	90+	4000K	On-Off
U5141PM27W12940M2	Prismatic Lens	85°	<22	L1208mm	27.8W	2628lm	90+	4000K	0-10V
U5141PM27W12940M3	Prismatic Lens	85°	<22	L1208mm	27.8W	2628lm	90+	4000K	DALI
U5141PM27W1282740M1	Prismatic Lens	85°	<22	L1208mm	27.0W	2693lm	80+	2700-4000K	On-Off
U5141PM27W1282740M2	Prismatic Lens	85°	<22	L1208mm	27.8W	2693lm	80+	2700-4000K	0-10V
U5141PM27W1282740M3	Prismatic Lens	85°	<22	L1208mm	27.8W	2693lm	80+	2700-4000K	DALI
U5141PM27W1292740M1	Prismatic Lens	85°	<22	L1208mm	27.0W	2424lm	90+	2700-4000K	On-Off
U5141PM27W1292740M2	Prismatic Lens	85°	<22	L1208mm	27.8W	2424lm	90+	2700-4000K	0-10V
U5141PM27W1292740M3	Prismatic Lens	85°	<22	L1208mm	27.8W	2424lm	90+	2700-4000K	DALI

SPECIFICATION

Luminaire: ZOLI, Optical: Prismatic Lens , Efficiency: 123lm/W, LED: Epistar, Driver: Lifud									
ORDERING CODE	OPTICAL	ANGLE	UGR	LENGTH	POWER	LUMEN	RA	CCT	DIM
U5141PM27W12830P1	Prismatic Lens	85°	<22	L1208mm	27.0W	3321lm	80+	3000K	On-Off
U5141PM27W12830P2	Prismatic Lens	85°	<22	L1208mm	27.8W	3321lm	80+	3000K	0-10V
U5141PM27W12830P3	Prismatic Lens	85°	<22	L1208mm	27.8W	3321lm	80+	3000K	DALI
U5141PM27W12930P1	Prismatic Lens	85°	<22	L1208mm	27.0W	2989lm	90+	3000K	On-Off
U5141PM27W12930P2	Prismatic Lens	85°	<22	L1208mm	27.8W	2989lm	90+	3000K	0-10V
U5141PM27W12930P3	Prismatic Lens	85°	<22	L1208mm	27.8W	2989lm	90+	3000K	DALI
U5141PM27W12840P1	Prismatic Lens	85°	<22	L1208mm	27.0W	3421lm	80+	4000K	On-Off
U5141PM27W12840P2	Prismatic Lens	85°	<22	L1208mm	27.8W	3421lm	80+	4000K	0-10V
U5141PM27W12840P3	Prismatic Lens	85°	<22	L1208mm	27.8W	3421lm	80+	4000K	DALI
U5141PM27W12940P1	Prismatic Lens	85°	<22	L1208mm	27.0W	3079lm	90+	4000K	On-Off
U5141PM27W12940P2	Prismatic Lens	85°	<22	L1208mm	27.8W	3079lm	90+	4000K	0-10V
U5141PM27W12940P3	Prismatic Lens	85°	<22	L1208mm	27.8W	3079lm	90+	4000K	DALI
U5141PM27W1282740P1	Prismatic Lens	85°	<22	L1208mm	27.0W	3155lm	80+	2700-4000K	On-Off
U5141PM27W1282740P2	Prismatic Lens	85°	<22	L1208mm	27.8W	3155lm	80+	2700-4000K	0-10V
U5141PM27W1282740P3	Prismatic Lens	85°	<22	L1208mm	27.8W	3155lm	80+	2700-4000K	DALI
U5141PM27W1292740P1	Prismatic Lens	85°	<22	L1208mm	27.0W	2839lm	90+	2700-4000K	On-Off
U5141PM27W1292740P2	Prismatic Lens	85°	<22	L1208mm	27.8W	2839lm	90+	2700-4000K	0-10V
U5141PM27W1292740P3	Prismatic Lens	85°	<22	L1208mm	27.8W	2839lm	90+	2700-4000K	DALI

SPECIFICATION

Luminaire: U5141, Optical: Prismatic Lens, Efficiency: 85lm/W, LED: Epistar, Driver: Lifud									
ORDERING CODE	OPTICAL	ANGLE	UGR	LENGTH	POWER	LUMEN	RA	CCT	DIM
U5141PM35W12830G1	Prismatic Lens	85°	<22	L1208mm	35.0W	2975lm	80+	3000K	On-Off
U5141PM35W12830G2	Prismatic Lens	85°	<22	L1208mm	36.1W	2975lm	80+	3000K	0-10V
U5141PM35W12830G3	Prismatic Lens	85°	<22	L1208mm	36.1W	2975lm	80+	3000K	DALI
U5141PM35W12930G1	Prismatic Lens	85°	<22	L1208mm	35.0W	2678lm	90+	3000K	On-Off
U5141PM35W12930G2	Prismatic Lens	85°	<22	L1208mm	36.1W	2678lm	90+	3000K	0-10V
U5141PM35W12930G3	Prismatic Lens	85°	<22	L1208mm	36.1W	2678lm	90+	3000K	DALI
U5141PM35W12840G1	Prismatic Lens	85°	<22	L1208mm	35.0W	3064lm	80+	4000K	On-Off
U5141PM35W12840G2	Prismatic Lens	85°	<22	L1208mm	36.1W	3064lm	80+	4000K	0-10V
U5141PM35W12840G3	Prismatic Lens	85°	<22	L1208mm	36.1W	3064lm	80+	4000K	DALI
U5141PM35W12940G1	Prismatic Lens	85°	<22	L1208mm	35.0W	2758lm	90+	4000K	On-Off
U5141PM35W12940G2	Prismatic Lens	85°	<22	L1208mm	36.1W	2758lm	90+	4000K	0-10V
U5141PM35W12940G3	Prismatic Lens	85°	<22	L1208mm	36.1W	2758lm	90+	4000K	DALI
U5141PM35W1282740G1	Prismatic Lens	85°	<22	L1208mm	35.0W	2826lm	80+	2700-4000K	On-Off
U5141PM35W1282740G2	Prismatic Lens	85°	<22	L1208mm	36.1W	2826lm	80+	2700-4000K	0-10V
U5141PM35W1282740G3	Prismatic Lens	85°	<22	L1208mm	36.1W	2826lm	80+	2700-4000K	DALI
U5141PM35W1292740G1	Prismatic Lens	85°	<22	L1208mm	35.0W	2544lm	90+	2700-4000K	On-Off
U5141PM35W1292740G2	Prismatic Lens	85°	<22	L1208mm	36.1W	2544lm	90+	2700-4000K	0-10V
U5141PM35W1292740G3	Prismatic Lens	85°	<22	L1208mm	36.1W	2544lm	90+	2700-4000K	DALI

SPECIFICATION

Luminaire: U5141, Optical: Prismatic Lens, Efficiency: 105lm/W, LED: Epistar, Driver: Lifud									
ORDERING CODE	OPTICAL	ANGLE	UGR	LENGTH	POWER	LUMEN	RA	CCT	DIM
U5141PM35W12830M1	Prismatic Lens	85°	<22	L1208mm	35.0W	3675lm	80+	3000K	On-Off
U5141PM35W12830M2	Prismatic Lens	85°	<22	L1208mm	36.1W	3675lm	80+	3000K	0-10V
U5141PM35W12830M3	Prismatic Lens	85°	<22	L1208mm	36.1W	3675lm	80+	3000K	DALI
U5141PM35W12930M1	Prismatic Lens	85°	<22	L1208mm	35.0W	3308lm	90+	3000K	On-Off
U5141PM35W12930M2	Prismatic Lens	85°	<22	L1208mm	36.1W	3308lm	90+	3000K	0-10V
U5141PM35W12930M3	Prismatic Lens	85°	<22	L1208mm	36.1W	3308lm	90+	3000K	DALI
U5141PM35W12840M1	Prismatic Lens	85°	<22	L1208mm	35.0W	3785lm	80+	4000K	On-Off
U5141PM35W12840M2	Prismatic Lens	85°	<22	L1208mm	36.1W	3785lm	80+	4000K	0-10V
U5141PM35W12840M3	Prismatic Lens	85°	<22	L1208mm	36.1W	3785lm	80+	4000K	DALI
U5141PM35W12940M1	Prismatic Lens	85°	<22	L1208mm	35.0W	3407lm	90+	4000K	On-Off
U5141PM35W12940M2	Prismatic Lens	85°	<22	L1208mm	36.1W	3407lm	90+	4000K	0-10V
U5141PM35W12940M3	Prismatic Lens	85°	<22	L1208mm	36.1W	3407lm	90+	4000K	DALI
U5141PM35W1282740M1	Prismatic Lens	85°	<22	L1208mm	35.0W	3491lm	80+	2700-4000K	On-Off
U5141PM35W1282740M2	Prismatic Lens	85°	<22	L1208mm	36.1W	3491lm	80+	2700-4000K	0-10V
U5141PM35W1282740M3	Prismatic Lens	85°	<22	L1208mm	36.1W	3491lm	80+	2700-4000K	DALI
U5141PM35W1292740M1	Prismatic Lens	85°	<22	L1208mm	35.0W	3142lm	90+	2700-4000K	On-Off
U5141PM35W1292740M2	Prismatic Lens	85°	<22	L1208mm	36.1W	3142lm	90+	2700-4000K	0-10V
U5141PM35W1292740M3	Prismatic Lens	85°	<22	L1208mm	36.1W	3142lm	90+	2700-4000K	DALI

SPECIFICATION

Luminaire: U5141, Optical: Prismatic Lens, Efficiency: 123lm/W, LED: Epistar, Driver: Lifud									
ORDERING CODE	OPTICAL	ANGLE	UGR	LENGTH	POWER	LUMEN	RA	CCT	DIM
U5141PM35W12830P1	Prismatic Lens	85°	<22	L1208mm	35.0W	4305lm	80+	3000K	On-Off
U5141PM35W12830P2	Prismatic Lens	85°	<22	L1208mm	36.1W	4305lm	80+	3000K	0-10V
U5141PM35W12830P3	Prismatic Lens	85°	<22	L1208mm	36.1W	4305lm	80+	3000K	DALI
U5141PM35W12930P1	Prismatic Lens	85°	<22	L1208mm	35.0W	3875lm	90+	3000K	On-Off
U5141PM35W12930P2	Prismatic Lens	85°	<22	L1208mm	36.1W	3875lm	90+	3000K	0-10V
U5141PM35W12930P3	Prismatic Lens	85°	<22	L1208mm	36.1W	3875lm	90+	3000K	DALI
U5141PM35W12840P1	Prismatic Lens	85°	<22	L1208mm	35.0W	4434lm	80+	4000K	On-Off
U5141PM35W12840P2	Prismatic Lens	85°	<22	L1208mm	36.1W	4434lm	80+	4000K	0-10V
U5141PM35W12840P3	Prismatic Lens	85°	<22	L1208mm	36.1W	4434lm	80+	4000K	DALI
U5141PM35W12940P1	Prismatic Lens	85°	<22	L1208mm	35.0W	3991lm	90+	4000K	On-Off
U5141PM35W12940P2	Prismatic Lens	85°	<22	L1208mm	36.1W	3991lm	90+	4000K	0-10V
U5141PM35W12940P3	Prismatic Lens	85°	<22	L1208mm	36.1W	3991lm	90+	4000K	DALI
U5141PM35W1282740P1	Prismatic Lens	85°	<22	L1208mm	35.0W	4090lm	80+	2700-4000K	On-Off
U5141PM35W1282740P2	Prismatic Lens	85°	<22	L1208mm	36.1W	4090lm	80+	2700-4000K	0-10V
U5141PM35W1282740P3	Prismatic Lens	85°	<22	L1208mm	36.1W	4090lm	80+	2700-4000K	DALI
U5141PM35W1292740P1	Prismatic Lens	85°	<22	L1208mm	35.0W	3681lm	90+	2700-4000K	On-Off
U5141PM35W1292740P2	Prismatic Lens	85°	<22	L1208mm	36.1W	3681lm	90+	2700-4000K	0-10V
U5141PM35W1292740P3	Prismatic Lens	85°	<22	L1208mm	36.1W	3681lm	90+	2700-4000K	DALI

SPECIFICATION

Luminaire: U5141, Optical: Prismatic Lens, Efficiency: 85lm/W, LED: Epistar, Driver: Lifud									
ORDERING CODE	OPTICAL	ANGLE	UGR	LENGTH	POWER	LUMEN	RA	CCT	DIM
U5141PM27W15830G1	Prismatic Lens	85°	<22	L1508mm	27.0W	2295lm	80+	3000K	On-Off
U5141PM27W15830G2	Prismatic Lens	85°	<22	L1508mm	27.8W	2295lm	80+	3000K	0-10V
U5141PM27W15830G3	Prismatic Lens	85°	<22	L1508mm	27.8W	2295lm	80+	3000K	DALI
U5141PM27W15930G1	Prismatic Lens	85°	<22	L1508mm	27.0W	2066lm	90+	3000K	On-Off
U5141PM27W15930G2	Prismatic Lens	85°	<22	L1508mm	27.8W	2066lm	90+	3000K	0-10V
U5141PM27W15930G3	Prismatic Lens	85°	<22	L1508mm	27.8W	2066lm	90+	3000K	DALI
U5141PM27W15840G1	Prismatic Lens	85°	<22	L1508mm	27.0W	2364lm	80+	4000K	On-Off
U5141PM27W15840G2	Prismatic Lens	85°	<22	L1508mm	27.8W	2364lm	80+	4000K	0-10V
U5141PM27W15840G3	Prismatic Lens	85°	<22	L1508mm	27.8W	2364lm	80+	4000K	DALI
U5141PM27W15940G1	Prismatic Lens	85°	<22	L1508mm	27.0W	2127lm	90+	4000K	On-Off
U5141PM27W15940G2	Prismatic Lens	85°	<22	L1508mm	27.8W	2127lm	90+	4000K	0-10V
U5141PM27W15940G3	Prismatic Lens	85°	<22	L1508mm	27.8W	2127lm	90+	4000K	DALI
U5141PM27W1582740G1	Prismatic Lens	85°	<22	L1508mm	27.0W	2180lm	80+	2700-4000K	On-Off
U5141PM27W1582740G2	Prismatic Lens	85°	<22	L1508mm	27.8W	2180lm	80+	2700-4000K	0-10V
U5141PM27W1582740G3	Prismatic Lens	85°	<22	L1508mm	27.8W	2180lm	80+	2700-4000K	DALI
U5141PM27W1592740G1	Prismatic Lens	85°	<22	L1508mm	27.0W	1962lm	90+	2700-4000K	On-Off
U5141PM27W1592740G2	Prismatic Lens	85°	<22	L1508mm	27.8W	1962lm	90+	2700-4000K	0-10V
U5141PM27W1592740G3	Prismatic Lens	85°	<22	L1508mm	27.8W	1962lm	90+	2700-4000K	DALI

SPECIFICATION

Luminaire: U5141 , Optical: Prismatic Lens , Efficiency: 105lm/W, LED: Epistar, Driver: Lifud									
ORDERING CODE	OPTICAL	ANGLE	UGR	LENGTH	POWER	LUMEN	RA	CCT	DIM
U5141PM27W15830M1	Prismatic Lens	85°	<22	L1508mm	27.0W	2835lm	80+	3000K	On-Off
U5141PM27W15830M2	Prismatic Lens	85°	<22	L1508mm	27.8W	2835lm	80+	3000K	0-10V
U5141PM27W15830M3	Prismatic Lens	85°	<22	L1508mm	27.8W	2835lm	80+	3000K	DALI
U5141PM27W15930M1	Prismatic Lens	85°	<22	L1508mm	27.0W	2552lm	90+	3000K	On-Off
U5141PM27W15930M2	Prismatic Lens	85°	<22	L1508mm	27.8W	2552lm	90+	3000K	0-10V
U5141PM27W15930M3	Prismatic Lens	85°	<22	L1508mm	27.8W	2552lm	90+	3000K	DALI
U5141PM27W15840M1	Prismatic Lens	85°	<22	L1508mm	27.0W	2920lm	80+	4000K	On-Off
U5141PM27W15840M2	Prismatic Lens	85°	<22	L1508mm	27.8W	2920lm	80+	4000K	0-10V
U5141PM27W15840M3	Prismatic Lens	85°	<22	L1508mm	27.8W	2920lm	80+	4000K	DALI
U5141PM27W15940M1	Prismatic Lens	85°	<22	L1508mm	27.0W	2628lm	90+	4000K	On-Off
U5141PM27W15940M2	Prismatic Lens	85°	<22	L1508mm	27.8W	2628lm	90+	4000K	0-10V
U5141PM27W15940M3	Prismatic Lens	85°	<22	L1508mm	27.8W	2628lm	90+	4000K	DALI
U5141PM27W1582740M1	Prismatic Lens	85°	<22	L1508mm	27.0W	2693lm	80+	2700-4000K	On-Off
U5141PM27W1582740M2	Prismatic Lens	85°	<22	L1508mm	27.8W	2693lm	80+	2700-4000K	0-10V
U5141PM27W1582740M3	Prismatic Lens	85°	<22	L1508mm	27.8W	2693lm	80+	2700-4000K	DALI
U5141PM27W1592740M1	Prismatic Lens	85°	<22	L1508mm	27.0W	2424lm	90+	2700-4000K	On-Off
U5141PM27W1592740M2	Prismatic Lens	85°	<22	L1508mm	27.8W	2424lm	90+	2700-4000K	0-10V
U5141PM27W1592740M3	Prismatic Lens	85°	<22	L1508mm	27.8W	2424lm	90+	2700-4000K	DALI

SPECIFICATION

Luminaire: U5141 , Optical: Prismatic Lens , Efficiency: 123lm/W, LED: Epistar, Driver: Lifud									
ORDERING CODE	OPTICAL	ANGLE	UGR	LENGTH	POWER	LUMEN	RA	CCT	DIM
U5141PM27W15830P1	Prismatic Lens	85°	<22	L1508mm	27.0W	3321lm	80+	3000K	On-Off
U5141PM27W15830P2	Prismatic Lens	85°	<22	L1508mm	27.8W	3321lm	80+	3000K	0-10V
U5141PM27W15830P3	Prismatic Lens	85°	<22	L1508mm	27.8W	3321lm	80+	3000K	DALI
U5141PM27W15930P1	Prismatic Lens	85°	<22	L1508mm	27.0W	2989lm	90+	3000K	On-Off
U5141PM27W15930P2	Prismatic Lens	85°	<22	L1508mm	27.8W	2989lm	90+	3000K	0-10V
U5141PM27W15930P3	Prismatic Lens	85°	<22	L1508mm	27.8W	2989lm	90+	3000K	DALI
U5141PM27W15840P1	Prismatic Lens	85°	<22	L1508mm	27.0W	3421lm	80+	4000K	On-Off
U5141PM27W15840P2	Prismatic Lens	85°	<22	L1508mm	27.8W	3421lm	80+	4000K	0-10V
U5141PM27W15840P3	Prismatic Lens	85°	<22	L1508mm	27.8W	3421lm	80+	4000K	DALI
U5141PM27W15940P1	Prismatic Lens	85°	<22	L1508mm	27.0W	3079lm	90+	4000K	On-Off
U5141PM27W15940P2	Prismatic Lens	85°	<22	L1508mm	27.8W	3079lm	90+	4000K	0-10V
U5141PM27W15940P3	Prismatic Lens	85°	<22	L1508mm	27.8W	3079lm	90+	4000K	DALI
U5141PM27W1582740P1	Prismatic Lens	85°	<22	L1508mm	27.0W	3155lm	80+	2700-4000K	On-Off
U5141PM27W1582740P2	Prismatic Lens	85°	<22	L1508mm	27.8W	3155lm	80+	2700-4000K	0-10V
U5141PM27W1582740P3	Prismatic Lens	85°	<22	L1508mm	27.8W	3155lm	80+	2700-4000K	DALI
U5141PM27W1592740P1	Prismatic Lens	85°	<22	L1508mm	27.0W	2839lm	90+	2700-4000K	On-Off
U5141PM27W1592740P2	Prismatic Lens	85°	<22	L1508mm	27.8W	2839lm	90+	2700-4000K	0-10V
U5141PM27W1592740P3	Prismatic Lens	85°	<22	L1508mm	27.8W	2839lm	90+	2700-4000K	DALI

SPECIFICATION

Luminaire: U5141, Optical: Prismatic Lens, Efficiency: 85lm/W, LED: Epistar, Driver: Lifud									
ORDERING CODE	OPTICAL	ANGLE	UGR	LENGTH	POWER	LUMEN	RA	CCT	DIM
U5141PM36W15830G1	Prismatic Lens	85°	<22	L1508mm	36.0W	3060lm	80+	3000K	On-Off
U5141PM36W15830G2	Prismatic Lens	85°	<22	L1508mm	37.1W	3060lm	80+	3000K	0-10V
U5141PM36W15830G3	Prismatic Lens	85°	<22	L1508mm	37.1W	3060lm	80+	3000K	DALI
U5141PM36W15930G1	Prismatic Lens	85°	<22	L1508mm	36.0W	2754lm	90+	3000K	On-Off
U5141PM36W15930G2	Prismatic Lens	85°	<22	L1508mm	37.1W	2754lm	90+	3000K	0-10V
U5141PM36W15930G3	Prismatic Lens	85°	<22	L1508mm	37.1W	2754lm	90+	3000K	DALI
U5141PM36W15840G1	Prismatic Lens	85°	<22	L1508mm	36.0W	3152lm	80+	4000K	On-Off
U5141PM36W15840G2	Prismatic Lens	85°	<22	L1508mm	37.1W	3152lm	80+	4000K	0-10V
U5141PM36W15840G3	Prismatic Lens	85°	<22	L1508mm	37.1W	3152lm	80+	4000K	DALI
U5141PM36W15940G1	Prismatic Lens	85°	<22	L1508mm	36.0W	2837lm	90+	4000K	On-Off
U5141PM36W15940G2	Prismatic Lens	85°	<22	L1508mm	37.1W	2837lm	90+	4000K	0-10V
U5141PM36W15940G3	Prismatic Lens	85°	<22	L1508mm	37.1W	2837lm	90+	4000K	DALI
U5141PM36W1582740G1	Prismatic Lens	85°	<22	L1508mm	36.0W	2907lm	80+	2700-4000K	On-Off
U5141PM36W1582740G2	Prismatic Lens	85°	<22	L1508mm	37.1W	2907lm	80+	2700-4000K	0-10V
U5141PM36W1582740G3	Prismatic Lens	85°	<22	L1508mm	37.1W	2907lm	80+	2700-4000K	DALI
U5141PM36W1592740G1	Prismatic Lens	85°	<22	L1508mm	36.0W	2616lm	90+	2700-4000K	On-Off
U5141PM36W1592740G2	Prismatic Lens	85°	<22	L1508mm	37.1W	2616lm	90+	2700-4000K	0-10V
U5141PM36W1592740G3	Prismatic Lens	85°	<22	L1508mm	37.1W	2616lm	90+	2700-4000K	DALI

SPECIFICATION

Luminaire: U5141, Optical: Prismatic Lens, Efficiency: 105lm/W, LED: Epistar, Driver: Lifud									
ORDERING CODE	OPTICAL	ANGLE	UGR	LENGTH	POWER	LUMEN	RA	CCT	DIM
U5141PM36W15830M1	Prismatic Lens	85°	<22	L1508mm	36.0W	3780lm	80+	3000K	On-Off
U5141PM36W15830M2	Prismatic Lens	85°	<22	L1508mm	37.1W	3780lm	80+	3000K	0-10V
U5141PM36W15830M3	Prismatic Lens	85°	<22	L1508mm	37.1W	3780lm	80+	3000K	DALI
U5141PM36W15930M1	Prismatic Lens	85°	<22	L1508mm	36.0W	3402lm	90+	3000K	On-Off
U5141PM36W15930M2	Prismatic Lens	85°	<22	L1508mm	37.1W	3402lm	90+	3000K	0-10V
U5141PM36W15930M3	Prismatic Lens	85°	<22	L1508mm	37.1W	3402lm	90+	3000K	DALI
U5141PM36W15840M1	Prismatic Lens	85°	<22	L1508mm	36.0W	3893lm	80+	4000K	On-Off
U5141PM36W15840M2	Prismatic Lens	85°	<22	L1508mm	37.1W	3893lm	80+	4000K	0-10V
U5141PM36W15840M3	Prismatic Lens	85°	<22	L1508mm	37.1W	3893lm	80+	4000K	DALI
U5141PM36W15940M1	Prismatic Lens	85°	<22	L1508mm	36.0W	3504lm	90+	4000K	On-Off
U5141PM36W15940M2	Prismatic Lens	85°	<22	L1508mm	37.1W	3504lm	90+	4000K	0-10V
U5141PM36W15940M3	Prismatic Lens	85°	<22	L1508mm	37.1W	3504lm	90+	4000K	DALI
U5141PM36W1582740M1	Prismatic Lens	85°	<22	L1508mm	36.0W	3591lm	80+	2700-4000K	On-Off
U5141PM36W1582740M2	Prismatic Lens	85°	<22	L1508mm	37.1W	3591lm	80+	2700-4000K	0-10V
U5141PM36W1582740M3	Prismatic Lens	85°	<22	L1508mm	37.1W	3591lm	80+	2700-4000K	DALI
U5141PM36W1592740M1	Prismatic Lens	85°	<22	L1508mm	36.0W	3232lm	90+	2700-4000K	On-Off
U5141PM36W1592740M2	Prismatic Lens	85°	<22	L1508mm	37.1W	3232lm	90+	2700-4000K	0-10V
U5141PM36W1592740M3	Prismatic Lens	85°	<22	L1508mm	37.1W	3232lm	90+	2700-4000K	DALI

SPECIFICATION

Luminaire: U5141, Optical: Prismatic Lens, Efficiency: 123lm/W, LED: Epistar, Driver: Lifud									
ORDERING CODE	OPTICAL	ANGLE	UGR	LENGTH	POWER	LUMEN	RA	CCT	DIM
U5141PM36W15830P1	Prismatic Lens	85°	<22	L1508mm	36.0W	4428lm	80+	3000K	On-Off
U5141PM36W15830P2	Prismatic Lens	85°	<22	L1508mm	37.1W	4428lm	80+	3000K	0-10V
U5141PM36W15830P3	Prismatic Lens	85°	<22	L1508mm	37.1W	4428lm	80+	3000K	DALI
U5141PM36W15930P1	Prismatic Lens	85°	<22	L1508mm	36.0W	3985lm	90+	3000K	On-Off
U5141PM36W15930P2	Prismatic Lens	85°	<22	L1508mm	37.1W	3985lm	90+	3000K	0-10V
U5141PM36W15930P3	Prismatic Lens	85°	<22	L1508mm	37.1W	3985lm	90+	3000K	DALI
U5141PM36W15840P1	Prismatic Lens	85°	<22	L1508mm	36.0W	4561lm	80+	4000K	On-Off
U5141PM36W15840P2	Prismatic Lens	85°	<22	L1508mm	37.1W	4561lm	80+	4000K	0-10V
U5141PM36W15840P3	Prismatic Lens	85°	<22	L1508mm	37.1W	4561lm	80+	4000K	DALI
U5141PM36W15940P1	Prismatic Lens	85°	<22	L1508mm	36.0W	4105lm	90+	4000K	On-Off
U5141PM36W15940P2	Prismatic Lens	85°	<22	L1508mm	37.1W	4105lm	90+	4000K	0-10V
U5141PM36W15940P3	Prismatic Lens	85°	<22	L1508mm	37.1W	4105lm	90+	4000K	DALI
U5141PM36W1582740P1	Prismatic Lens	85°	<22	L1508mm	36.0W	4207lm	80+	2700-4000K	On-Off
U5141PM36W1582740P2	Prismatic Lens	85°	<22	L1508mm	37.1W	4207lm	80+	2700-4000K	0-10V
U5141PM36W1582740P3	Prismatic Lens	85°	<22	L1508mm	37.1W	4207lm	80+	2700-4000K	DALI
U5141PM36W1592740P1	Prismatic Lens	85°	<22	L1508mm	36.0W	3786lm	90+	2700-4000K	On-Off
U5141PM36W1592740P2	Prismatic Lens	85°	<22	L1508mm	37.1W	3786lm	90+	2700-4000K	0-10V
U5141PM36W1592740P3	Prismatic Lens	85°	<22	L1508mm	37.1W	3786lm	90+	2700-4000K	DALI

SPECIFICATION

Luminaire: U5141, Optical: Prismatic Lens, Efficiency: 85lm/W, LED: Epistar, Driver: Lifud									
ORDERING CODE	OPTICAL	ANGLE	UGR	LENGTH	POWER	LUMEN	RA	CCT	DIM
U5141PM45W15830G1	Prismatic Lens	85°	<22	L1508mm	45.0W	3825lm	80+	3000K	On-Off
U5141PM45W15830G2	Prismatic Lens	85°	<22	L1508mm	46.4W	3825lm	80+	3000K	0-10V
U5141PM45W15830G3	Prismatic Lens	85°	<22	L1508mm	46.4W	3825lm	80+	3000K	DALI
U5141PM45W15930G1	Prismatic Lens	85°	<22	L1508mm	45.0W	3443lm	90+	3000K	On-Off
U5141PM45W15930G2	Prismatic Lens	85°	<22	L1508mm	46.4W	3443lm	90+	3000K	0-10V
U5141PM45W15930G3	Prismatic Lens	85°	<22	L1508mm	46.4W	3443lm	90+	3000K	DALI
U5141PM45W15840G1	Prismatic Lens	85°	<22	L1508mm	45.0W	3940lm	80+	4000K	On-Off
U5141PM45W15840G2	Prismatic Lens	85°	<22	L1508mm	46.4W	3940lm	80+	4000K	0-10V
U5141PM45W15840G3	Prismatic Lens	85°	<22	L1508mm	46.4W	3940lm	80+	4000K	DALI
U5141PM45W15940G1	Prismatic Lens	85°	<22	L1508mm	45.0W	3546lm	90+	4000K	On-Off
U5141PM45W15940G2	Prismatic Lens	85°	<22	L1508mm	46.4W	3546lm	90+	4000K	0-10V
U5141PM45W15940G3	Prismatic Lens	85°	<22	L1508mm	46.4W	3546lm	90+	4000K	DALI
U5141PM45W1582740G1	Prismatic Lens	85°	<22	L1508mm	45.0W	3634lm	80+	2700-4000K	On-Off
U5141PM45W1582740G2	Prismatic Lens	85°	<22	L1508mm	46.4W	3634lm	80+	2700-4000K	0-10V
U5141PM45W1582740G3	Prismatic Lens	85°	<22	L1508mm	46.4W	3634lm	80+	2700-4000K	DALI
U5141PM45W1592740G1	Prismatic Lens	85°	<22	L1508mm	45.0W	3270lm	90+	2700-4000K	On-Off
U5141PM45W1592740G2	Prismatic Lens	85°	<22	L1508mm	46.4W	3270lm	90+	2700-4000K	0-10V
U5141PM45W1592740G3	Prismatic Lens	85°	<22	L1508mm	46.4W	3270lm	90+	2700-4000K	DALI

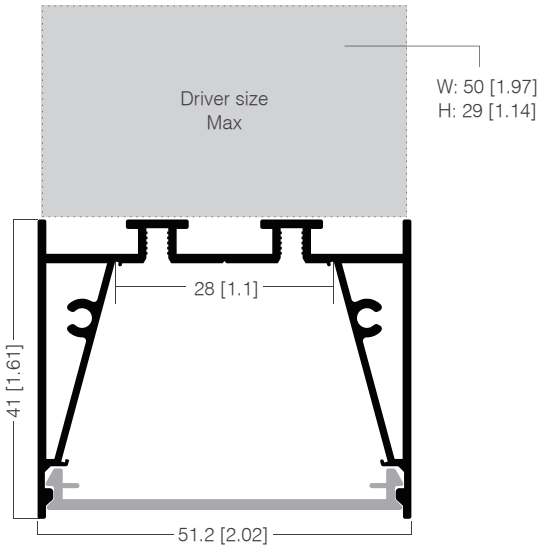
SPECIFICATION

Luminaire: U5141, Optical: Prismatic Lens, Efficiency: 105lm/W, LED: Epistar, Driver: Lifud									
ORDERING CODE	OPTICAL	ANGLE	UGR	LENGTH	POWER	LUMEN	RA	CCT	DIM
U5141PM45W15830M1	Prismatic Lens	85°	<22	L1508mm	45.0W	4725lm	80+	3000K	On-Off
U5141PM45W15830M2	Prismatic Lens	85°	<22	L1508mm	46.4W	4725lm	80+	3000K	0-10V
U5141PM45W15830M3	Prismatic Lens	85°	<22	L1508mm	46.4W	4725lm	80+	3000K	DALI
U5141PM45W15930M1	Prismatic Lens	85°	<22	L1508mm	45.0W	4253lm	90+	3000K	On-Off
U5141PM45W15930M2	Prismatic Lens	85°	<22	L1508mm	46.4W	4253lm	90+	3000K	0-10V
U5141PM45W15930M3	Prismatic Lens	85°	<22	L1508mm	46.4W	4253lm	90+	3000K	DALI
U5141PM45W15840M1	Prismatic Lens	85°	<22	L1508mm	45.0W	4867lm	80+	4000K	On-Off
U5141PM45W15840M2	Prismatic Lens	85°	<22	L1508mm	46.4W	4867lm	80+	4000K	0-10V
U5141PM45W15840M3	Prismatic Lens	85°	<22	L1508mm	46.4W	4867lm	80+	4000K	DALI
U5141PM45W15940M1	Prismatic Lens	85°	<22	L1508mm	45.0W	4380lm	90+	4000K	On-Off
U5141PM45W15940M2	Prismatic Lens	85°	<22	L1508mm	46.4W	4380lm	90+	4000K	0-10V
U5141PM45W15940M3	Prismatic Lens	85°	<22	L1508mm	46.4W	4380lm	90+	4000K	DALI
U5141PM45W1582740M1	Prismatic Lens	85°	<22	L1508mm	45.0W	4489lm	80+	2700-4000K	On-Off
U5141PM45W1582740M2	Prismatic Lens	85°	<22	L1508mm	46.4W	4489lm	80+	2700-4000K	0-10V
U5141PM45W1582740M3	Prismatic Lens	85°	<22	L1508mm	46.4W	4489lm	80+	2700-4000K	DALI
U5141PM45W1592740M1	Prismatic Lens	85°	<22	L1508mm	45.0W	4040lm	90+	2700-4000K	On-Off
U5141PM45W1592740M2	Prismatic Lens	85°	<22	L1508mm	46.4W	4040lm	90+	2700-4000K	0-10V
U5141PM45W1592740M3	Prismatic Lens	85°	<22	L1508mm	46.4W	4040lm	90+	2700-4000K	DALI

SPECIFICATION

Luminaire: U5141, Optical: Prismatic Lens, Efficiency: 123lm/W, LED: Epistar, Driver: Lifud									
ORDERING CODE	OPTICAL	ANGLE	UGR	LENGTH	POWER	LUMEN	RA	CCT	DIM
U5141PM45W15830P1	Prismatic Lens	85°	<22	L1508mm	45.0W	5535lm	80+	3000K	On-Off
U5141PM45W15830P2	Prismatic Lens	85°	<22	L1508mm	46.4W	5535lm	80+	3000K	0-10V
U5141PM45W15830P3	Prismatic Lens	85°	<22	L1508mm	46.4W	5535lm	80+	3000K	DALI
U5141PM45W15930P1	Prismatic Lens	85°	<22	L1508mm	45.0W	4982lm	90+	3000K	On-Off
U5141PM45W15930P2	Prismatic Lens	85°	<22	L1508mm	46.4W	4982lm	90+	3000K	0-10V
U5141PM45W15930P3	Prismatic Lens	85°	<22	L1508mm	46.4W	4982lm	90+	3000K	DALI
U5141PM45W15840P1	Prismatic Lens	85°	<22	L1508mm	45.0W	5701lm	80+	4000K	On-Off
U5141PM45W15840P2	Prismatic Lens	85°	<22	L1508mm	46.4W	5701lm	80+	4000K	0-10V
U5141PM45W15840P3	Prismatic Lens	85°	<22	L1508mm	46.4W	5701lm	80+	4000K	DALI
U5141PM45W15940P1	Prismatic Lens	85°	<22	L1508mm	45.0W	5131lm	90+	4000K	On-Off
U5141PM45W15940P2	Prismatic Lens	85°	<22	L1508mm	46.4W	5131lm	90+	4000K	0-10V
U5141PM45W15940P3	Prismatic Lens	85°	<22	L1508mm	46.4W	5131lm	90+	4000K	DALI
U5141PM45W1582740P1	Prismatic Lens	85°	<22	L1508mm	45.0W	5258lm	80+	2700-4000K	On-Off
U5141PM45W1582740P2	Prismatic Lens	85°	<22	L1508mm	46.4W	5258lm	80+	2700-4000K	0-10V
U5141PM45W1582740P3	Prismatic Lens	85°	<22	L1508mm	46.4W	5258lm	80+	2700-4000K	DALI
U5141PM45W1592740P1	Prismatic Lens	85°	<22	L1508mm	45.0W	4732lm	90+	2700-4000K	On-Off
U5141PM45W1592740P2	Prismatic Lens	85°	<22	L1508mm	46.4W	4732lm	90+	2700-4000K	0-10V
U5141PM45W1592740P3	Prismatic Lens	85°	<22	L1508mm	46.4W	4732lm	90+	2700-4000K	DALI

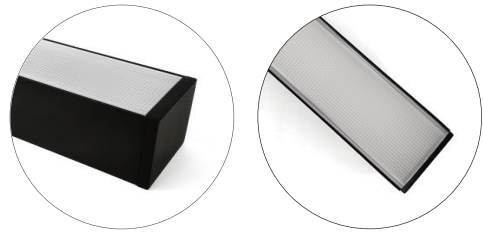
DIMENSION



Unit:mm[in]

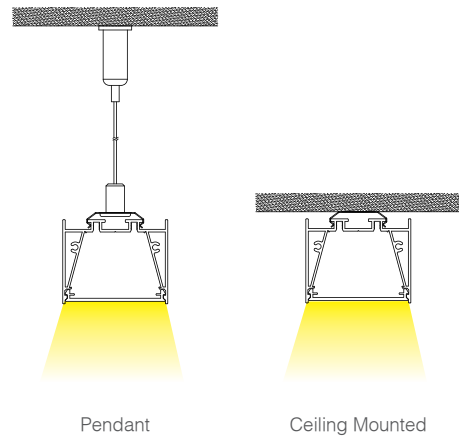


LED CHIPS AND DRIVER OPTIONS



Prismatic Lens

INSTALLATIONS



ACCESSORIES & TOOLS

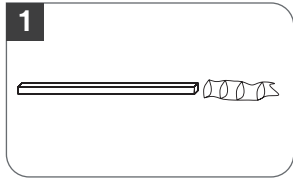


Aircraft Cable Pendant Kit

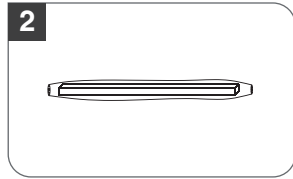


Ceiling Mounted Kit

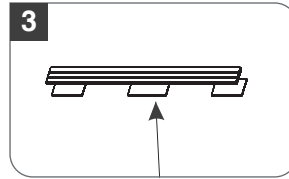
 **PACKAGING STEPS**



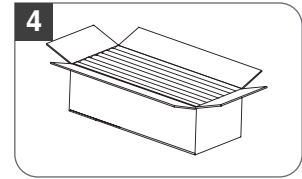
1
Put the product into PE bag.



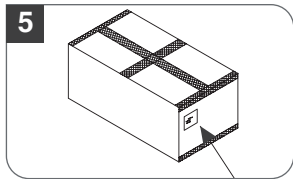
2
Seal the bag in two ends and label it.



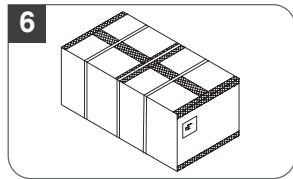
3
Separate the product layer by layer with foam.



4
Put the product and accessories bag into carton box.



5
Seal and label the box.



6
Use packing belt to pack. Add edge protectors if necessary.

 **PACKAGING INFORMATION**

Model No.	Product Size(mm)	Carton Size(mm)	Total Quantity(pcs)	Net Weight(kg)	Gross Weight(kg)
U514128-6	608*51*41	667*315*220	12	6.5	7
U514128-12	1208*51*41	1267*315*220	12	13	14.5
U514128-15	1508*51*41	1567*315*220	8	10.5	12
U514128-24	2408*51*41	2467*315*220	8	17	18.5

Note:

- Shipping materials: PE bags and carton box.
- The above quantity and weight are only for the illustrated packaging method. There will be differences in the quantity and weight with other packaging methods.

■ **RANGE OF APPLICATIONS**

General or local lighting in Office, Educational Institutions, Conference Rooms and many other workspaces.

■ **ELECTRIC GEAR**

Constant current 0-10V / DALI / Non-dim drivers, Setable white, Dual white / Dime2Warm, DMX, PWM lighting solution available.

