

**ORDERING INFORMATION**

LUMINAIRE	FINISH	OPTICAL	ANGLE	LENGTH	COLOR QUALITY	COLOR TEMP	CRI	INSTALL ACCS.	IP/IK GRADE	CONTROL OPTOINS
U514128	White	PC Diffuser	105Deg	1208mm	3-Step MacAdam	3000K	80+CRI	Aircraft cable pendant Ceiling Mounting	IP22 IK06	G1- On/off
	Black			1508mm		4000K	90+CRI			G2- 0-10V
	Silver					2700K-4000K				G3- DALI G4- Dmx

1. Blueview's standard is 3-Step MacAdam

2. The listed Color Temperature is only available in CRI80+ in Epistar Chips, for 95+, 90+ in Epistar and Sumsung chips, pls. check the list on following page. For more options, pls. check with your executive sales.

**SPECIFICATION**

Luminaire: U5141, Optical: PC Diffuser Lens, Efficiency: 90lm/W, LED: Epistar, Driver: Lifud									
ORDERING CODE	OPTICAL	ANGLE	UGR	LENGTH	POWER	LUMEN	RA	CCT	DIM
U5141PC15W12830G1	PC Diffuser Lens	105°	<26	L1208mm	15.0W	1350lm	80+	3000K	On-Off
U5141PC15W12830G2	PC Diffuser Lens	105°	<26	L1208mm	15.5W	1350lm	80+	3000K	0-10V
U5141PC15W12830G3	PC Diffuser Lens	105°	<26	L1208mm	15.5W	1350lm	80+	3000K	DALI
U5141PC15W12930G1	PC Diffuser Lens	105°	<26	L1208mm	15.0W	1208lm	90+	3000K	On-Off
U5141PC15W12930G2	PC Diffuser Lens	105°	<26	L1208mm	15.5W	1208lm	90+	3000K	0-10V
U5141PC15W12930G3	PC Diffuser Lens	105°	<26	L1208mm	15.5W	1208lm	90+	3000K	DALI
U5141PC15W12840G1	PC Diffuser Lens	105°	<26	L1208mm	15.0W	1391lm	80+	4000K	On-Off
U5141PC15W12840G2	PC Diffuser Lens	105°	<26	L1208mm	15.5W	1391lm	80+	4000K	0-10V
U5141PC15W12840G3	PC Diffuser Lens	105°	<26	L1208mm	15.5W	1391lm	80+	4000K	DALI
U5141PC15W12940G1	PC Diffuser Lens	105°	<26	L1208mm	15.0W	1251lm	90+	4000K	On-Off
U5141PC15W12940G2	PC Diffuser Lens	105°	<26	L1208mm	15.5W	1251lm	90+	4000K	0-10V
U5141PC15W12940G3	PC Diffuser Lens	105°	<26	L1208mm	15.5W	1251lm	90+	4000K	DALI
U5141PC15W1282740G1	PC Diffuser Lens	105°	<26	L1208mm	15.0W	1283lm	80+	2700-4000K	On-Off
U5141PC15W1282740G2	PC Diffuser Lens	105°	<26	L1208mm	15.5W	1283lm	80+	2700-4000K	0-10V
U5141PC15W1282740G3	PC Diffuser Lens	105°	<26	L1208mm	15.5W	1283lm	80+	2700-4000K	DALI
U5141PC15W1292740G1	PC Diffuser Lens	105°	<26	L1208mm	15.0W	1154lm	90+	2700-4000K	On-Off
U5141PC15W1292740G2	PC Diffuser Lens	105°	<26	L1208mm	15.5W	1154lm	90+	2700-4000K	0-10V
U5141PC15W1292740G3	PC Diffuser Lens	105°	<26	L1208mm	15.5W	1154lm	90+	2700-4000K	DALI

**SPECIFICATION**

Luminaire: U5141, Optical: PC Diffuser Lens, Efficiency: 110lm/W, LED: Epistar, Driver: Lifud									
ORDERING CODE	OPTICAL	ANGLE	UGR	LENGTH	POWER	LUMEN	RA	CCT	DIM
U5141PC15W12830M1	PC Diffuser Lens	105°	<26	L1208mm	15.0W	1650lm	80+	3000K	On-Off
U5141PC15W12830M2	PC Diffuser Lens	105°	<26	L1208mm	15.5W	1650lm	80+	3000K	0-10V
U5141PC15W12830M3	PC Diffuser Lens	105°	<26	L1208mm	15.5W	1650lm	80+	3000K	DALI
U5141PC15W12930M1	PC Diffuser Lens	105°	<26	L1208mm	15.0W	1485lm	90+	3000K	On-Off
U5141PC15W12930M2	PC Diffuser Lens	105°	<26	L1208mm	15.5W	1485lm	90+	3000K	0-10V
U5141PC15W12930M3	PC Diffuser Lens	105°	<26	L1208mm	15.5W	1485lm	90+	3000K	DALI
U5141PC15W12840M1	PC Diffuser Lens	105°	<26	L1208mm	15.0W	1700lm	80+	4000K	On-Off
U5141PC15W12840M2	PC Diffuser Lens	105°	<26	L1208mm	15.5W	1700lm	80+	4000K	0-10V
U5141PC15W12840M3	PC Diffuser Lens	105°	<26	L1208mm	15.5W	1700lm	80+	4000K	DALI
U5141PC15W12940M1	PC Diffuser Lens	105°	<26	L1208mm	15.0W	1530lm	90+	4000K	On-Off
U5141PC15W12940M2	PC Diffuser Lens	105°	<26	L1208mm	15.5W	1530lm	90+	4000K	0-10V
U5141PC15W12940M3	PC Diffuser Lens	105°	<26	L1208mm	15.5W	1530lm	90+	4000K	DALI
U5141PC15W1282740M1	PC Diffuser Lens	105°	<26	L1208mm	15.0W	1568lm	80+	2700-4000K	On-Off
U5141PC15W1282740M2	PC Diffuser Lens	105°	<26	L1208mm	15.5W	1568lm	80+	2700-4000K	0-10V
U5141PC15W1282740M3	PC Diffuser Lens	105°	<26	L1208mm	15.5W	1568lm	80+	2700-4000K	DALI
U5141PC15W1292740M1	PC Diffuser Lens	105°	<26	L1208mm	15.0W	1411lm	90+	2700-4000K	On-Off
U5141PC15W1292740M2	PC Diffuser Lens	105°	<26	L1208mm	15.5W	1411lm	90+	2700-4000K	0-10V
U5141PC15W1292740M3	PC Diffuser Lens	105°	<26	L1208mm	15.5W	1411lm	90+	2700-4000K	DALI

**SPECIFICATION**

Luminaire: U5141, Optical: PC Diffuser Lens, Efficiency: 130lm/W, LED: Epistar, Driver: Lifud									
ORDERING CODE	OPTICAL	ANGLE	UGR	LENGTH	POWER	LUMEN	RA	CCT	DIM
U5141PC15W12830P1	PC Diffuser Lens	105°	<26	L1208mm	15.0W	1950lm	80+	3000K	On-Off
U5141PC15W12830P2	PC Diffuser Lens	105°	<26	L1208mm	15.5W	1950lm	80+	3000K	0-10V
U5141PC15W12830P3	PC Diffuser Lens	105°	<26	L1208mm	15.5W	1950lm	80+	3000K	DALI
U5141PC15W12930P1	PC Diffuser Lens	105°	<26	L1208mm	15.0W	1755lm	90+	3000K	On-Off
U5141PC15W12930P2	PC Diffuser Lens	105°	<26	L1208mm	15.5W	1755lm	90+	3000K	0-10V
U5141PC15W12930P3	PC Diffuser Lens	105°	<26	L1208mm	15.5W	1755lm	90+	3000K	DALI
U5141PC15W12840P1	PC Diffuser Lens	105°	<26	L1208mm	15.0W	2009lm	80+	4000K	On-Off
U5141PC15W12840P2	PC Diffuser Lens	105°	<26	L1208mm	15.5W	2009lm	80+	4000K	0-10V
U5141PC15W12840P3	PC Diffuser Lens	105°	<26	L1208mm	15.5W	2009lm	80+	4000K	DALI
U5141PC15W12940P1	PC Diffuser Lens	105°	<26	L1208mm	15.0W	1808lm	90+	4000K	On-Off
U5141PC15W12940P2	PC Diffuser Lens	105°	<26	L1208mm	15.5W	1808lm	90+	4000K	0-10V
U5141PC15W12940P3	PC Diffuser Lens	105°	<26	L1208mm	15.5W	1808lm	90+	4000K	DALI
U5141PC15W1282740P1	PC Diffuser Lens	105°	<26	L1208mm	15.0W	1853lm	80+	2700-4000K	On-Off
U5141PC15W1282740P2	PC Diffuser Lens	105°	<26	L1208mm	15.5W	1853lm	80+	2700-4000K	0-10V
U5141PC15W1282740P3	PC Diffuser Lens	105°	<26	L1208mm	15.5W	1853lm	80+	2700-4000K	DALI
U5141PC15W1292740P1	PC Diffuser Lens	105°	<26	L1208mm	15.0W	1667lm	90+	2700-4000K	On-Off
U5141PC15W1292740P2	PC Diffuser Lens	105°	<26	L1208mm	15.5W	1667lm	90+	2700-4000K	0-10V
U5141PC15W1292740P3	PC Diffuser Lens	105°	<26	L1208mm	15.5W	1667lm	90+	2700-4000K	DALI

**SPECIFICATION**

Luminaire: U5141, Optical: PC Diffuser Lens, Efficiency: 90lm/W, LED: Epistar, Driver: Lifud									
ORDERING CODE	OPTICAL	ANGLE	UGR	LENGTH	POWER	LUMEN	RA	CCT	DIM
U5141PC27W12830G1	PC Diffuser Lens	105°	<26	L1208mm	27.0W	2430lm	80+	3000K	On-Off
U5141PC27W12830G2	PC Diffuser Lens	105°	<26	L1208mm	27.8W	2430lm	80+	3000K	0-10V
U5141PC27W12830G3	PC Diffuser Lens	105°	<26	L1208mm	27.8W	2430lm	80+	3000K	DALI
U5141PC27W12930G1	PC Diffuser Lens	105°	<26	L1208mm	27.0W	2187lm	90+	3000K	On-Off
U5141PC27W12930G2	PC Diffuser Lens	105°	<26	L1208mm	27.8W	2187lm	90+	3000K	0-10V
U5141PC27W12930G3	PC Diffuser Lens	105°	<26	L1208mm	27.8W	2187lm	90+	3000K	DALI
U5141PC27W12840G1	PC Diffuser Lens	105°	<26	L1208mm	27.0W	2503lm	80+	4000K	On-Off
U5141PC27W12840G2	PC Diffuser Lens	105°	<26	L1208mm	27.8W	2503lm	80+	4000K	0-10V
U5141PC27W12840G3	PC Diffuser Lens	105°	<26	L1208mm	27.8W	2503lm	80+	4000K	DALI
U5141PC27W12940G1	PC Diffuser Lens	105°	<26	L1208mm	27.0W	2253lm	90+	4000K	On-Off
U5141PC27W12940G2	PC Diffuser Lens	105°	<26	L1208mm	27.8W	2253lm	90+	4000K	0-10V
U5141PC27W12940G3	PC Diffuser Lens	105°	<26	L1208mm	27.8W	2253lm	90+	4000K	DALI
U5141PC27W1282740G1	PC Diffuser Lens	105°	<26	L1208mm	27.0W	2309lm	80+	2700-4000K	On-Off
U5141PC27W1282740G2	PC Diffuser Lens	105°	<26	L1208mm	27.8W	2309lm	80+	2700-4000K	0-10V
U5141PC27W1282740G3	PC Diffuser Lens	105°	<26	L1208mm	27.8W	2309lm	80+	2700-4000K	DALI
U5141PC27W1292740G1	PC Diffuser Lens	105°	<26	L1208mm	27.0W	2078lm	90+	2700-4000K	On-Off
U5141PC27W1292740G2	PC Diffuser Lens	105°	<26	L1208mm	27.8W	2078lm	90+	2700-4000K	0-10V
U5141PC27W1292740G3	PC Diffuser Lens	105°	<26	L1208mm	27.8W	2078lm	90+	2700-4000K	DALI

**SPECIFICATION**

Luminaire: U5141, Optical: PC Diffuser Lens, Efficiency: 110lm/W, LED: Epistar, Driver: Lifud

ORDERING CODE	OPTICAL	ANGLE	UGR	LENGTH	POWER	LUMEN	RA	CCT	DIM
U5141PC27W12830M1	PC Diffuser Lens	105°	<26	L1208mm	27.0W	2970lm	80+	3000K	On-Off
U5141PC27W12830M2	PC Diffuser Lens	105°	<26	L1208mm	27.8W	2970lm	80+	3000K	0-10V
U5141PC27W12830M3	PC Diffuser Lens	105°	<26	L1208mm	27.8W	2970lm	80+	3000K	DALI
U5141PC27W12930M1	PC Diffuser Lens	105°	<26	L1208mm	27.0W	2673lm	90+	3000K	On-Off
U5141PC27W12930M2	PC Diffuser Lens	105°	<26	L1208mm	27.8W	2673lm	90+	3000K	0-10V
U5141PC27W12930M3	PC Diffuser Lens	105°	<26	L1208mm	27.8W	2673lm	90+	3000K	DALI
U5141PC27W12840M1	PC Diffuser Lens	105°	<26	L1208mm	27.0W	3059lm	80+	4000K	On-Off
U5141PC27W12840M2	PC Diffuser Lens	105°	<26	L1208mm	27.8W	3059lm	80+	4000K	0-10V
U5141PC27W12840M3	PC Diffuser Lens	105°	<26	L1208mm	27.8W	3059lm	80+	4000K	DALI
U5141PC27W12940M1	PC Diffuser Lens	105°	<26	L1208mm	27.0W	2753lm	90+	4000K	On-Off
U5141PC27W12940M2	PC Diffuser Lens	105°	<26	L1208mm	27.8W	2753lm	90+	4000K	0-10V
U5141PC27W12940M3	PC Diffuser Lens	105°	<26	L1208mm	27.8W	2753lm	90+	4000K	DALI
U5141PC27W1282740M1	PC Diffuser Lens	105°	<26	L1208mm	27.0W	2822lm	80+	2700-4000K	On-Off
U5141PC27W1282740M2	PC Diffuser Lens	105°	<26	L1208mm	27.8W	2822lm	80+	2700-4000K	0-10V
U5141PC27W1282740M3	PC Diffuser Lens	105°	<26	L1208mm	27.8W	2822lm	80+	2700-4000K	DALI
U5141PC27W1292740M1	PC Diffuser Lens	105°	<26	L1208mm	27.0W	2539lm	90+	2700-4000K	On-Off
U5141PC27W1292740M2	PC Diffuser Lens	105°	<26	L1208mm	27.8W	2539lm	90+	2700-4000K	0-10V
U5141PC27W1292740M3	PC Diffuser Lens	105°	<26	L1208mm	27.8W	2539lm	90+	2700-4000K	DALI

**SPECIFICATION**

Luminaire: U5141, Optical: PC Diffuser Lens, Efficiency: 130lm/W, LED: Epistar, Driver: Lifud

ORDERING CODE	OPTICAL	ANGLE	UGR	LENGTH	POWER	LUMEN	RA	CCT	DIM
U5141PC27W12830P1	PC Diffuser Lens	105°	<26	L1208mm	27.0W	3510lm	80+	3000K	On-Off
U5141PC27W12830P2	PC Diffuser Lens	105°	<26	L1208mm	27.8W	3510lm	80+	3000K	0-10V
U5141PC27W12830P3	PC Diffuser Lens	105°	<26	L1208mm	27.8W	3510lm	80+	3000K	DALI
U5141PC27W12930P1	PC Diffuser Lens	105°	<26	L1208mm	27.0W	3159lm	90+	3000K	On-Off
U5141PC27W12930P2	PC Diffuser Lens	105°	<26	L1208mm	27.8W	3159lm	90+	3000K	0-10V
U5141PC27W12930P3	PC Diffuser Lens	105°	<26	L1208mm	27.8W	3159lm	90+	3000K	DALI
U5141PC27W12840P1	PC Diffuser Lens	105°	<26	L1208mm	27.0W	3615lm	80+	4000K	On-Off
U5141PC27W12840P2	PC Diffuser Lens	105°	<26	L1208mm	27.8W	3615lm	80+	4000K	0-10V
U5141PC27W12840P3	PC Diffuser Lens	105°	<26	L1208mm	27.8W	3615lm	80+	4000K	DALI
U5141PC27W12940P1	PC Diffuser Lens	105°	<26	L1208mm	27.0W	3254lm	90+	4000K	On-Off
U5141PC27W12940P2	PC Diffuser Lens	105°	<26	L1208mm	27.8W	3254lm	90+	4000K	0-10V
U5141PC27W12940P3	PC Diffuser Lens	105°	<26	L1208mm	27.8W	3254lm	90+	4000K	DALI
U5141PC27W1282740P1	PC Diffuser Lens	105°	<26	L1208mm	27.0W	3335lm	80+	2700-4000K	On-Off
U5141PC27W1282740P2	PC Diffuser Lens	105°	<26	L1208mm	27.8W	3335lm	80+	2700-4000K	0-10V
U5141PC27W1282740P3	PC Diffuser Lens	105°	<26	L1208mm	27.8W	3335lm	80+	2700-4000K	DALI
U5141PC27W1292740P1	PC Diffuser Lens	105°	<26	L1208mm	27.0W	3001lm	90+	2700-4000K	On-Off
U5141PC27W1292740P2	PC Diffuser Lens	105°	<26	L1208mm	27.8W	3001lm	90+	2700-4000K	0-10V
U5141PC27W1292740P3	PC Diffuser Lens	105°	<26	L1208mm	27.8W	3001lm	90+	2700-4000K	DALI

**SPECIFICATION**

**Luminaire: U5141, Optical: PC Diffuser Lens, Efficiency: 90lm/W, LED: Epistar, Driver: Lifud**

ORDERING CODE	OPTICAL	ANGLE	UGR	LENGTH	POWER	LUMEN	RA	CCT	DIM
U5141PC35W12830G1	PC Diffuser Lens	105°	<26	L1208mm	35.0W	3150lm	80+	3000K	On-Off
U5141PC35W12830G2	PC Diffuser Lens	105°	<26	L1208mm	36.1W	3150lm	80+	3000K	0-10V
U5141PC35W12830G3	PC Diffuser Lens	105°	<26	L1208mm	36.1W	3150lm	80+	3000K	DALI
U5141PC35W12930G1	PC Diffuser Lens	105°	<26	L1208mm	35.0W	2835lm	90+	3000K	On-Off
U5141PC35W12930G2	PC Diffuser Lens	105°	<26	L1208mm	36.1W	2835lm	90+	3000K	0-10V
U5141PC35W12930G3	PC Diffuser Lens	105°	<26	L1208mm	36.1W	2835lm	90+	3000K	DALI
U5141PC35W12840G1	PC Diffuser Lens	105°	<26	L1208mm	35.0W	3245lm	80+	4000K	On-Off
U5141PC35W12840G2	PC Diffuser Lens	105°	<26	L1208mm	36.1W	3245lm	80+	4000K	0-10V
U5141PC35W12840G3	PC Diffuser Lens	105°	<26	L1208mm	36.1W	3245lm	80+	4000K	DALI
U5141PC35W12940G1	PC Diffuser Lens	105°	<26	L1208mm	35.0W	2920lm	90+	4000K	On-Off
U5141PC35W12940G2	PC Diffuser Lens	105°	<26	L1208mm	36.1W	2920lm	90+	4000K	0-10V
U5141PC35W12940G3	PC Diffuser Lens	105°	<26	L1208mm	36.1W	2920lm	90+	4000K	DALI
U5141PC35W1282740G1	PC Diffuser Lens	105°	<26	L1208mm	35.0W	2993lm	80+	2700-4000K	On-Off
U5141PC35W1282740G2	PC Diffuser Lens	105°	<26	L1208mm	36.1W	2993lm	80+	2700-4000K	0-10V
U5141PC35W1282740G3	PC Diffuser Lens	105°	<26	L1208mm	36.1W	2993lm	80+	2700-4000K	DALI
U5141PC35W1292740G1	PC Diffuser Lens	105°	<26	L1208mm	35.0W	2693lm	90+	2700-4000K	On-Off
U5141PC35W1292740G2	PC Diffuser Lens	105°	<26	L1208mm	36.1W	2693lm	90+	2700-4000K	0-10V
U5141PC35W1292740G3	PC Diffuser Lens	105°	<26	L1208mm	36.1W	2693lm	90+	2700-4000K	DALI

**SPECIFICATION**

**Luminaire: U5141, Optical: PC Diffuser Lens, Efficiency: 110lm/W, LED: Epistar, Driver: Lifud**

ORDERING CODE	OPTICAL	ANGLE	UGR	LENGTH	POWER	LUMEN	RA	CCT	DIM
U5141PC35W12830M1	PC Diffuser Lens	105°	<26	L1208mm	35.0W	3850lm	80+	3000K	On-Off
U5141PC35W12830M2	PC Diffuser Lens	105°	<26	L1208mm	36.1W	3850lm	80+	3000K	0-10V
U5141PC35W12830M3	PC Diffuser Lens	105°	<26	L1208mm	36.1W	3850lm	80+	3000K	DALI
U5141PC35W12930M1	PC Diffuser Lens	105°	<26	L1208mm	35.0W	3465lm	90+	3000K	On-Off
U5141PC35W12930M2	PC Diffuser Lens	105°	<26	L1208mm	36.1W	3465lm	90+	3000K	0-10V
U5141PC35W12930M3	PC Diffuser Lens	105°	<26	L1208mm	36.1W	3465lm	90+	3000K	DALI
U5141PC35W12840M1	PC Diffuser Lens	105°	<26	L1208mm	35.0W	3966lm	80+	4000K	On-Off
U5141PC35W12840M2	PC Diffuser Lens	105°	<26	L1208mm	36.1W	3966lm	80+	4000K	0-10V
U5141PC35W12840M3	PC Diffuser Lens	105°	<26	L1208mm	36.1W	3966lm	80+	4000K	DALI
U5141PC35W12940M1	PC Diffuser Lens	105°	<26	L1208mm	35.0W	3569lm	90+	4000K	On-Off
U5141PC35W12940M2	PC Diffuser Lens	105°	<26	L1208mm	36.1W	3569lm	90+	4000K	0-10V
U5141PC35W12940M3	PC Diffuser Lens	105°	<26	L1208mm	36.1W	3569lm	90+	4000K	DALI
U5141PC35W1282740M1	PC Diffuser Lens	105°	<26	L1208mm	35.0W	3658lm	80+	2700-4000K	On-Off
U5141PC35W1282740M2	PC Diffuser Lens	105°	<26	L1208mm	36.1W	3658lm	80+	2700-4000K	0-10V
U5141PC35W1282740M3	PC Diffuser Lens	105°	<26	L1208mm	36.1W	3658lm	80+	2700-4000K	DALI
U5141PC35W1292740M1	PC Diffuser Lens	105°	<26	L1208mm	35.0W	3292lm	90+	2700-4000K	On-Off
U5141PC35W1292740M2	PC Diffuser Lens	105°	<26	L1208mm	36.1W	3292lm	90+	2700-4000K	0-10V
U5141PC35W1292740M3	PC Diffuser Lens	105°	<26	L1208mm	36.1W	3292lm	90+	2700-4000K	DALI

**SPECIFICATION**

Luminaire: U5141, Optical: PC Diffuser Lens, Efficiency: 130lm/W, LED: Epistar, Driver: Lifud

ORDERING CODE	OPTICAL	ANGLE	UGR	LENGTH	POWER	LUMEN	RA	CCT	DIM
U5141PC35W12830P1	PC Diffuser Lens	105°	<26	L1208mm	35.0W	4550lm	80+	3000K	On-Off
U5141PC35W12830P2	PC Diffuser Lens	105°	<26	L1208mm	36.1W	4550lm	80+	3000K	0-10V
U5141PC35W12830P3	PC Diffuser Lens	105°	<26	L1208mm	36.1W	4550lm	80+	3000K	DALI
U5141PC35W12930P1	PC Diffuser Lens	105°	<26	L1208mm	35.0W	4095lm	90+	3000K	On-Off
U5141PC35W12930P2	PC Diffuser Lens	105°	<26	L1208mm	36.1W	4095lm	90+	3000K	0-10V
U5141PC35W12930P3	PC Diffuser Lens	105°	<26	L1208mm	36.1W	4095lm	90+	3000K	DALI
U5141PC35W12840P1	PC Diffuser Lens	105°	<26	L1208mm	35.0W	4687lm	80+	4000K	On-Off
U5141PC35W12840P2	PC Diffuser Lens	105°	<26	L1208mm	36.1W	4687lm	80+	4000K	0-10V
U5141PC35W12840P3	PC Diffuser Lens	105°	<26	L1208mm	36.1W	4687lm	80+	4000K	DALI
U5141PC35W12940P1	PC Diffuser Lens	105°	<26	L1208mm	35.0W	4218lm	90+	4000K	On-Off
U5141PC35W12940P2	PC Diffuser Lens	105°	<26	L1208mm	36.1W	4218lm	90+	4000K	0-10V
U5141PC35W12940P3	PC Diffuser Lens	105°	<26	L1208mm	36.1W	4218lm	90+	4000K	DALI
U5141PC35W1282740P1	PC Diffuser Lens	105°	<26	L1208mm	35.0W	4323lm	80+	2700-4000K	On-Off
U5141PC35W1282740P2	PC Diffuser Lens	105°	<26	L1208mm	36.1W	4323lm	80+	2700-4000K	0-10V
U5141PC35W1282740P3	PC Diffuser Lens	105°	<26	L1208mm	36.1W	4323lm	80+	2700-4000K	DALI
U5141PC35W1292740P1	PC Diffuser Lens	105°	<26	L1208mm	35.0W	3890lm	90+	2700-4000K	On-Off
U5141PC35W1292740P2	PC Diffuser Lens	105°	<26	L1208mm	36.1W	3890lm	90+	2700-4000K	0-10V
U5141PC35W1292740P3	PC Diffuser Lens	105°	<26	L1208mm	36.1W	3890lm	90+	2700-4000K	DALI

**SPECIFICATION**

Luminaire: U5141, Optical: PC Diffuser Lens, Efficiency: 90lm/W, LED: Epistar, Driver: Lifud

ORDERING CODE	OPTICAL	ANGLE	UGR	LENGTH	POWER	LUMEN	RA	CCT	DIM
U5141PC27W15830G1	PC Diffuser Lens	105°	<26	L1508mm	27.0W	2430lm	80+	3000K	On-Off
U5141PC27W15830G2	PC Diffuser Lens	105°	<26	L1508mm	27.8W	2430lm	80+	3000K	0-10V
U5141PC27W15830G3	PC Diffuser Lens	105°	<26	L1508mm	27.8W	2430lm	80+	3000K	DALI
U5141PC27W15930G1	PC Diffuser Lens	105°	<26	L1508mm	27.0W	2187lm	90+	3000K	On-Off
U5141PC27W15930G2	PC Diffuser Lens	105°	<26	L1508mm	27.8W	2187lm	90+	3000K	0-10V
U5141PC27W15930G3	PC Diffuser Lens	105°	<26	L1508mm	27.8W	2187lm	90+	3000K	DALI
U5141PC27W15840G1	PC Diffuser Lens	105°	<26	L1508mm	27.0W	2503lm	80+	4000K	On-Off
U5141PC27W15840G2	PC Diffuser Lens	105°	<26	L1508mm	27.8W	2503lm	80+	4000K	0-10V
U5141PC27W15840G3	PC Diffuser Lens	105°	<26	L1508mm	27.8W	2503lm	80+	4000K	DALI
U5141PC27W15940G1	PC Diffuser Lens	105°	<26	L1508mm	27.0W	2253lm	90+	4000K	On-Off
U5141PC27W15940G2	PC Diffuser Lens	105°	<26	L1508mm	27.8W	2253lm	90+	4000K	0-10V
U5141PC27W15940G3	PC Diffuser Lens	105°	<26	L1508mm	27.8W	2253lm	90+	4000K	DALI
U5141PC27W1582740G1	PC Diffuser Lens	105°	<26	L1508mm	27.0W	2309lm	80+	2700-4000K	On-Off
U5141PC27W1582740G2	PC Diffuser Lens	105°	<26	L1508mm	27.8W	2309lm	80+	2700-4000K	0-10V
U5141PC27W1582740G3	PC Diffuser Lens	105°	<26	L1508mm	27.8W	2309lm	80+	2700-4000K	DALI
U5141PC27W1592740G1	PC Diffuser Lens	105°	<26	L1508mm	27.0W	2078lm	90+	2700-4000K	On-Off
U5141PC27W1592740G2	PC Diffuser Lens	105°	<26	L1508mm	27.8W	2078lm	90+	2700-4000K	0-10V
U5141PC27W1592740G3	PC Diffuser Lens	105°	<26	L1508mm	27.8W	2078lm	90+	2700-4000K	DALI

**SPECIFICATION**

Luminaire: U5141, Optical: PC Diffuser Lens, Efficiency: 110lm/W, LED: Epistar, Driver: Lifud									
ORDERING CODE	OPTICAL	ANGLE	UGR	LENGTH	POWER	LUMEN	RA	CCT	DIM
U5141PC27W15830M1	PC Diffuser Lens	105°	<26	L1508mm	27.0W	2970lm	80+	3000K	On-Off
U5141PC27W15830M2	PC Diffuser Lens	105°	<26	L1508mm	27.8W	2970lm	80+	3000K	0-10V
U5141PC27W15830M3	PC Diffuser Lens	105°	<26	L1508mm	27.8W	2970lm	80+	3000K	DALI
U5141PC27W15930M1	PC Diffuser Lens	105°	<26	L1508mm	27.0W	2673lm	90+	3000K	On-Off
U5141PC27W15930M2	PC Diffuser Lens	105°	<26	L1508mm	27.8W	2673lm	90+	3000K	0-10V
U5141PC27W15930M3	PC Diffuser Lens	105°	<26	L1508mm	27.8W	2673lm	90+	3000K	DALI
U5141PC27W15840M1	PC Diffuser Lens	105°	<26	L1508mm	27.0W	3059lm	80+	4000K	On-Off
U5141PC27W15840M2	PC Diffuser Lens	105°	<26	L1508mm	27.8W	3059lm	80+	4000K	0-10V
U5141PC27W15840M3	PC Diffuser Lens	105°	<26	L1508mm	27.8W	3059lm	80+	4000K	DALI
U5141PC27W15940M1	PC Diffuser Lens	105°	<26	L1508mm	27.0W	2753lm	90+	4000K	On-Off
U5141PC27W15940M2	PC Diffuser Lens	105°	<26	L1508mm	27.8W	2753lm	90+	4000K	0-10V
U5141PC27W15940M3	PC Diffuser Lens	105°	<26	L1508mm	27.8W	2753lm	90+	4000K	DALI
U5141PC27W1582740M1	PC Diffuser Lens	105°	<26	L1508mm	27.0W	2822lm	80+	2700-4000K	On-Off
U5141PC27W1582740M2	PC Diffuser Lens	105°	<26	L1508mm	27.8W	2822lm	80+	2700-4000K	0-10V
U5141PC27W1582740M3	PC Diffuser Lens	105°	<26	L1508mm	27.8W	2822lm	80+	2700-4000K	DALI
U5141PC27W1592740M1	PC Diffuser Lens	105°	<26	L1508mm	27.0W	2539lm	90+	2700-4000K	On-Off
U5141PC27W1592740M2	PC Diffuser Lens	105°	<26	L1508mm	27.8W	2539lm	90+	2700-4000K	0-10V
U5141PC27W1592740M3	PC Diffuser Lens	105°	<26	L1508mm	27.8W	2539lm	90+	2700-4000K	DALI

**SPECIFICATION**

Luminaire: U5141, Optical: PC Diffuser Lens, Efficiency: 130lm/W, LED: Epistar, Driver: Lifud									
ORDERING CODE	OPTICAL	ANGLE	UGR	LENGTH	POWER	LUMEN	RA	CCT	DIM
U5141PC27W15830P1	PC Diffuser Lens	105°	<26	L1508mm	27.0W	3510lm	80+	3000K	On-Off
U5141PC27W15830P2	PC Diffuser Lens	105°	<26	L1508mm	27.8W	3510lm	80+	3000K	0-10V
U5141PC27W15830P3	PC Diffuser Lens	105°	<26	L1508mm	27.8W	3510lm	80+	3000K	DALI
U5141PC27W15930P1	PC Diffuser Lens	105°	<26	L1508mm	27.0W	3159lm	90+	3000K	On-Off
U5141PC27W15930P2	PC Diffuser Lens	105°	<26	L1508mm	27.8W	3159lm	90+	3000K	0-10V
U5141PC27W15930P3	PC Diffuser Lens	105°	<26	L1508mm	27.8W	3159lm	90+	3000K	DALI
U5141PC27W15840P1	PC Diffuser Lens	105°	<26	L1508mm	27.0W	3615lm	80+	4000K	On-Off
U5141PC27W15840P2	PC Diffuser Lens	105°	<26	L1508mm	27.8W	3615lm	80+	4000K	0-10V
U5141PC27W15840P3	PC Diffuser Lens	105°	<26	L1508mm	27.8W	3615lm	80+	4000K	DALI
U5141PC27W15940P1	PC Diffuser Lens	105°	<26	L1508mm	27.0W	3254lm	90+	4000K	On-Off
U5141PC27W15940P2	PC Diffuser Lens	105°	<26	L1508mm	27.8W	3254lm	90+	4000K	0-10V
U5141PC27W15940P3	PC Diffuser Lens	105°	<26	L1508mm	27.8W	3254lm	90+	4000K	DALI
U5141PC27W1582740P1	PC Diffuser Lens	105°	<26	L1508mm	27.0W	3335lm	80+	2700-4000K	On-Off
U5141PC27W1582740P2	PC Diffuser Lens	105°	<26	L1508mm	27.8W	3335lm	80+	2700-4000K	0-10V
U5141PC27W1582740P3	PC Diffuser Lens	105°	<26	L1508mm	27.8W	3335lm	80+	2700-4000K	DALI
U5141PC27W1592740P1	PC Diffuser Lens	105°	<26	L1508mm	27.0W	3001lm	90+	2700-4000K	On-Off
U5141PC27W1592740P2	PC Diffuser Lens	105°	<26	L1508mm	27.8W	3001lm	90+	2700-4000K	0-10V
U5141PC27W1592740P3	PC Diffuser Lens	105°	<26	L1508mm	27.8W	3001lm	90+	2700-4000K	DALI

**SPECIFICATION**

Luminaire: U5141, Optical: PC Diffuser Lens, Efficiency: 90lm/W, LED: Epistar, Driver: Lifud

ORDERING CODE	OPTICAL	ANGLE	UGR	LENGTH	POWER	LUMEN	RA	CCT	DIM
U5141PC36W15830G1	PC Diffuser Lens	105°	<26	L1508mm	36.0W	3240lm	80+	3000K	On-Off
U5141PC36W15830G2	PC Diffuser Lens	105°	<26	L1508mm	37.1W	3240lm	80+	3000K	0-10V
U5141PC36W15830G3	PC Diffuser Lens	105°	<26	L1508mm	37.1W	3240lm	80+	3000K	DALI
U5141PC36W15930G1	PC Diffuser Lens	105°	<26	L1508mm	36.0W	2916lm	90+	3000K	On-Off
U5141PC36W15930G2	PC Diffuser Lens	105°	<26	L1508mm	37.1W	2916lm	90+	3000K	0-10V
U5141PC36W15930G3	PC Diffuser Lens	105°	<26	L1508mm	37.1W	2916lm	90+	3000K	DALI
U5141PC36W15840G1	PC Diffuser Lens	105°	<26	L1508mm	36.0W	3337lm	80+	4000K	On-Off
U5141PC36W15840G2	PC Diffuser Lens	105°	<26	L1508mm	37.1W	3337lm	80+	4000K	0-10V
U5141PC36W15840G3	PC Diffuser Lens	105°	<26	L1508mm	37.1W	3337lm	80+	4000K	DALI
U5141PC36W15940G1	PC Diffuser Lens	105°	<26	L1508mm	36.0W	3003lm	90+	4000K	On-Off
U5141PC36W15940G2	PC Diffuser Lens	105°	<26	L1508mm	37.1W	3003lm	90+	4000K	0-10V
U5141PC36W15940G3	PC Diffuser Lens	105°	<26	L1508mm	37.1W	3003lm	90+	4000K	DALI
U5141PC36W1582740G1	PC Diffuser Lens	105°	<26	L1508mm	36.0W	3078lm	80+	2700-4000K	On-Off
U5141PC36W1582740G2	PC Diffuser Lens	105°	<26	L1508mm	37.1W	3078lm	80+	2700-4000K	0-10V
U5141PC36W1582740G3	PC Diffuser Lens	105°	<26	L1508mm	37.1W	3078lm	80+	2700-4000K	DALI
U5141PC36W1592740G1	PC Diffuser Lens	105°	<26	L1508mm	36.0W	2770lm	90+	2700-4000K	On-Off
U5141PC36W1592740G2	PC Diffuser Lens	105°	<26	L1508mm	37.1W	2770lm	90+	2700-4000K	0-10V
U5141PC36W1592740G3	PC Diffuser Lens	105°	<26	L1508mm	37.1W	2770lm	90+	2700-4000K	DALI

**SPECIFICATION**

Luminaire: U5141, Optical: PC Diffuser Lens, Efficiency: 110lm/W, LED: Epistar, Driver: Lifud

ORDERING CODE	OPTICAL	ANGLE	UGR	LENGTH	POWER	LUMEN	RA	CCT	DIM
U5141PC36W15830M1	PC Diffuser Lens	105°	<26	L1508mm	36.0W	3960lm	80+	3000K	On-Off
U5141PC36W15830M2	PC Diffuser Lens	105°	<26	L1508mm	37.1W	3960lm	80+	3000K	0-10V
U5141PC36W15830M3	PC Diffuser Lens	105°	<26	L1508mm	37.1W	3960lm	80+	3000K	DALI
U5141PC36W15930M1	PC Diffuser Lens	105°	<26	L1508mm	36.0W	3564lm	90+	3000K	On-Off
U5141PC36W15930M2	PC Diffuser Lens	105°	<26	L1508mm	37.1W	3564lm	90+	3000K	0-10V
U5141PC36W15930M3	PC Diffuser Lens	105°	<26	L1508mm	37.1W	3564lm	90+	3000K	DALI
U5141PC36W15840M1	PC Diffuser Lens	105°	<26	L1508mm	36.0W	4079lm	80+	4000K	On-Off
U5141PC36W15840M2	PC Diffuser Lens	105°	<26	L1508mm	37.1W	4079lm	80+	4000K	0-10V
U5141PC36W15840M3	PC Diffuser Lens	105°	<26	L1508mm	37.1W	4079lm	80+	4000K	DALI
U5141PC36W15940M1	PC Diffuser Lens	105°	<26	L1508mm	36.0W	3671lm	90+	4000K	On-Off
U5141PC36W15940M2	PC Diffuser Lens	105°	<26	L1508mm	37.1W	3671lm	90+	4000K	0-10V
U5141PC36W15940M3	PC Diffuser Lens	105°	<26	L1508mm	37.1W	3671lm	90+	4000K	DALI
U5141PC36W1582740M1	PC Diffuser Lens	105°	<26	L1508mm	36.0W	3762lm	80+	2700-4000K	On-Off
U5141PC36W1582740M2	PC Diffuser Lens	105°	<26	L1508mm	37.1W	3762lm	80+	2700-4000K	0-10V
U5141PC36W1582740M3	PC Diffuser Lens	105°	<26	L1508mm	37.1W	3762lm	80+	2700-4000K	DALI
U5141PC36W1592740M1	PC Diffuser Lens	105°	<26	L1508mm	36.0W	3386lm	90+	2700-4000K	On-Off
U5141PC36W1592740M2	PC Diffuser Lens	105°	<26	L1508mm	37.1W	3386lm	90+	2700-4000K	0-10V
U5141PC36W1592740M3	PC Diffuser Lens	105°	<26	L1508mm	37.1W	3386lm	90+	2700-4000K	DALI



**SPECIFICATION**

Luminaire: U5141, Optical: PC Diffuser Lens, Efficiency: 130lm/W, LED: Epistar, Driver: Lifud

ORDERING CODE	OPTICAL	ANGLE	UGR	LENGTH	POWER	LUMEN	RA	CCT	DIM
U5141PC36W15830P1	PC Diffuser Lens	105°	<26	L1508mm	36.0W	4680lm	80+	3000K	On-Off
U5141PC36W15830P2	PC Diffuser Lens	105°	<26	L1508mm	37.1W	4680lm	80+	3000K	0-10V
U5141PC36W15830P3	PC Diffuser Lens	105°	<26	L1508mm	37.1W	4680lm	80+	3000K	DALI
U5141PC36W15930P1	PC Diffuser Lens	105°	<26	L1508mm	36.0W	4212lm	90+	3000K	On-Off
U5141PC36W15930P2	PC Diffuser Lens	105°	<26	L1508mm	37.1W	4212lm	90+	3000K	0-10V
U5141PC36W15930P3	PC Diffuser Lens	105°	<26	L1508mm	37.1W	4212lm	90+	3000K	DALI
U5141PC36W15840P1	PC Diffuser Lens	105°	<26	L1508mm	36.0W	4820lm	80+	4000K	On-Off
U5141PC36W15840P2	PC Diffuser Lens	105°	<26	L1508mm	37.1W	4820lm	80+	4000K	0-10V
U5141PC36W15840P3	PC Diffuser Lens	105°	<26	L1508mm	37.1W	4820lm	80+	4000K	DALI
U5141PC36W15940P1	PC Diffuser Lens	105°	<26	L1508mm	36.0W	4338lm	90+	4000K	On-Off
U5141PC36W15940P2	PC Diffuser Lens	105°	<26	L1508mm	37.1W	4338lm	90+	4000K	0-10V
U5141PC36W15940P3	PC Diffuser Lens	105°	<26	L1508mm	37.1W	4338lm	90+	4000K	DALI
U5141PC36W1582740P1	PC Diffuser Lens	105°	<26	L1508mm	36.0W	4446lm	80+	2700-4000K	On-Off
U5141PC36W1582740P2	PC Diffuser Lens	105°	<26	L1508mm	37.1W	4446lm	80+	2700-4000K	0-10V
U5141PC36W1582740P3	PC Diffuser Lens	105°	<26	L1508mm	37.1W	4446lm	80+	2700-4000K	DALI
U5141PC36W1592740P1	PC Diffuser Lens	105°	<26	L1508mm	36.0W	4001lm	90+	2700-4000K	On-Off
U5141PC36W1592740P2	PC Diffuser Lens	105°	<26	L1508mm	37.1W	4001lm	90+	2700-4000K	0-10V
U5141PC36W1592740P3	PC Diffuser Lens	105°	<26	L1508mm	37.1W	4001lm	90+	2700-4000K	DALI

**SPECIFICATION**

Luminaire: U5141, Optical: PC Diffuser Lens, Efficiency: 90lm/W, LED: Epistar, Driver: Lifud

ORDERING CODE	OPTICAL	ANGLE	UGR	LENGTH	POWER	LUMEN	RA	CCT	DIM
U5141PC45W15830G1	PC Diffuser Lens	105°	<26	L1508mm	45.0W	4050lm	80+	3000K	On-Off
U5141PC45W15830G2	PC Diffuser Lens	105°	<26	L1508mm	46.4W	4050lm	80+	3000K	0-10V
U5141PC45W15830G3	PC Diffuser Lens	105°	<26	L1508mm	46.4W	4050lm	80+	3000K	DALI
U5141PC45W15930G1	PC Diffuser Lens	105°	<26	L1508mm	45.0W	3645lm	90+	3000K	On-Off
U5141PC45W15930G2	PC Diffuser Lens	105°	<26	L1508mm	46.4W	3645lm	90+	3000K	0-10V
U5141PC45W15930G3	PC Diffuser Lens	105°	<26	L1508mm	46.4W	3645lm	90+	3000K	DALI
U5141PC45W15840G1	PC Diffuser Lens	105°	<26	L1508mm	45.0W	4172lm	80+	4000K	On-Off
U5141PC45W15840G2	PC Diffuser Lens	105°	<26	L1508mm	46.4W	4172lm	80+	4000K	0-10V
U5141PC45W15840G3	PC Diffuser Lens	105°	<26	L1508mm	46.4W	4172lm	80+	4000K	DALI
U5141PC45W15940G1	PC Diffuser Lens	105°	<26	L1508mm	45.0W	3754lm	90+	4000K	On-Off
U5141PC45W15940G2	PC Diffuser Lens	105°	<26	L1508mm	46.4W	3754lm	90+	4000K	0-10V
U5141PC45W15940G3	PC Diffuser Lens	105°	<26	L1508mm	46.4W	3754lm	90+	4000K	DALI
U5141PC45W1582740G1	PC Diffuser Lens	105°	<26	L1508mm	45.0W	3848lm	80+	2700-4000K	On-Off
U5141PC45W1582740G2	PC Diffuser Lens	105°	<26	L1508mm	46.4W	3848lm	80+	2700-4000K	0-10V
U5141PC45W1582740G3	PC Diffuser Lens	105°	<26	L1508mm	46.4W	3848lm	80+	2700-4000K	DALI
U5141PC45W1592740G1	PC Diffuser Lens	105°	<26	L1508mm	45.0W	3463lm	90+	2700-4000K	On-Off
U5141PC45W1592740G2	PC Diffuser Lens	105°	<26	L1508mm	46.4W	3463lm	90+	2700-4000K	0-10V
U5141PC45W1592740G3	PC Diffuser Lens	105°	<26	L1508mm	46.4W	3463lm	90+	2700-4000K	DALI

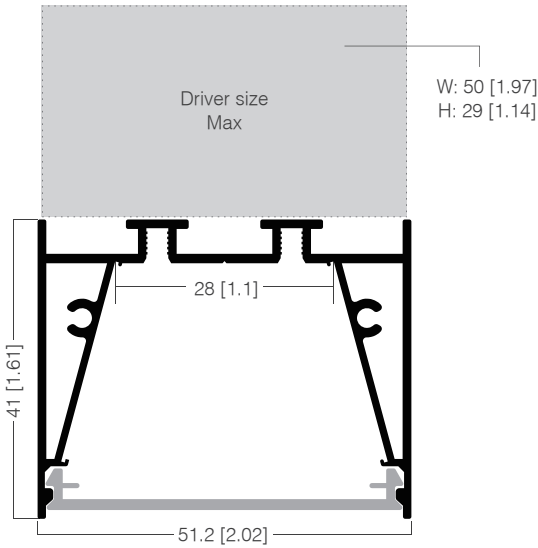
**SPECIFICATION**

Luminaire: U5141, Optical: PC Diffuser Lens, Efficiency: 110lm/W, LED: Epistar, Driver: Lifud									
ORDERING CODE	OPTICAL	ANGLE	UGR	LENGTH	POWER	LUMEN	RA	CCT	DIM
U5141PC45W15830M1	PC Diffuser Lens	105°	<26	L1508mm	45.0W	4950lm	80+	3000K	On-Off
U5141PC45W15830M2	PC Diffuser Lens	105°	<26	L1508mm	46.4W	4950lm	80+	3000K	0-10V
U5141PC45W15830M3	PC Diffuser Lens	105°	<26	L1508mm	46.4W	4950lm	80+	3000K	DALI
U5141PC45W15930M1	PC Diffuser Lens	105°	<26	L1508mm	45.0W	4455lm	90+	3000K	On-Off
U5141PC45W15930M2	PC Diffuser Lens	105°	<26	L1508mm	46.4W	4455lm	90+	3000K	0-10V
U5141PC45W15930M3	PC Diffuser Lens	105°	<26	L1508mm	46.4W	4455lm	90+	3000K	DALI
U5141PC45W15840M1	PC Diffuser Lens	105°	<26	L1508mm	45.0W	5099lm	80+	4000K	On-Off
U5141PC45W15840M2	PC Diffuser Lens	105°	<26	L1508mm	46.4W	5099lm	80+	4000K	0-10V
U5141PC45W15840M3	PC Diffuser Lens	105°	<26	L1508mm	46.4W	5099lm	80+	4000K	DALI
U5141PC45W15940M1	PC Diffuser Lens	105°	<26	L1508mm	45.0W	4589lm	90+	4000K	On-Off
U5141PC45W15940M2	PC Diffuser Lens	105°	<26	L1508mm	46.4W	4589lm	90+	4000K	0-10V
U5141PC45W15940M3	PC Diffuser Lens	105°	<26	L1508mm	46.4W	4589lm	90+	4000K	DALI
U5141PC45W1582740M1	PC Diffuser Lens	105°	<26	L1508mm	45.0W	4703lm	80+	2700-4000K	On-Off
U5141PC45W1582740M2	PC Diffuser Lens	105°	<26	L1508mm	46.4W	4703lm	80+	2700-4000K	0-10V
U5141PC45W1582740M3	PC Diffuser Lens	105°	<26	L1508mm	46.4W	4703lm	80+	2700-4000K	DALI
U5141PC45W1592740M1	PC Diffuser Lens	105°	<26	L1508mm	45.0W	4232lm	90+	2700-4000K	On-Off
U5141PC45W1592740M2	PC Diffuser Lens	105°	<26	L1508mm	46.4W	4232lm	90+	2700-4000K	0-10V
U5141PC45W1592740M3	PC Diffuser Lens	105°	<26	L1508mm	46.4W	4232lm	90+	2700-4000K	DALI

**SPECIFICATION**

Luminaire: U5141, Optical: PC Diffuser Lens, Efficiency: 130lm/W, LED: Epistar, Driver: Lifud									
ORDERING CODE	OPTICAL	ANGLE	UGR	LENGTH	POWER	LUMEN	RA	CCT	DIM
U5141PC45W15830P1	PC Diffuser Lens	105°	<26	L1508mm	45.0W	5850lm	80+	3000K	On-Off
U5141PC45W15830P2	PC Diffuser Lens	105°	<26	L1508mm	46.4W	5850lm	80+	3000K	0-10V
U5141PC45W15830P3	PC Diffuser Lens	105°	<26	L1508mm	46.4W	5850lm	80+	3000K	DALI
U5141PC45W15930P1	PC Diffuser Lens	105°	<26	L1508mm	45.0W	5265lm	90+	3000K	On-Off
U5141PC45W15930P2	PC Diffuser Lens	105°	<26	L1508mm	46.4W	5265lm	90+	3000K	0-10V
U5141PC45W15930P3	PC Diffuser Lens	105°	<26	L1508mm	46.4W	5265lm	90+	3000K	DALI
U5141PC45W15840P1	PC Diffuser Lens	105°	<26	L1508mm	45.0W	6026lm	80+	4000K	On-Off
U5141PC45W15840P2	PC Diffuser Lens	105°	<26	L1508mm	46.4W	6026lm	80+	4000K	0-10V
U5141PC45W15840P3	PC Diffuser Lens	105°	<26	L1508mm	46.4W	6026lm	80+	4000K	DALI
U5141PC45W15940P1	PC Diffuser Lens	105°	<26	L1508mm	45.0W	5423lm	90+	4000K	On-Off
U5141PC45W15940P2	PC Diffuser Lens	105°	<26	L1508mm	46.4W	5423lm	90+	4000K	0-10V
U5141PC45W15940P3	PC Diffuser Lens	105°	<26	L1508mm	46.4W	5423lm	90+	4000K	DALI
U5141PC45W1582740P1	PC Diffuser Lens	105°	<26	L1508mm	45.0W	5558lm	80+	2700-4000K	On-Off
U5141PC45W1582740P2	PC Diffuser Lens	105°	<26	L1508mm	46.4W	5558lm	80+	2700-4000K	0-10V
U5141PC45W1582740P3	PC Diffuser Lens	105°	<26	L1508mm	46.4W	5558lm	80+	2700-4000K	DALI
U5141PC45W1592740P1	PC Diffuser Lens	105°	<26	L1508mm	45.0W	5002lm	90+	2700-4000K	On-Off
U5141PC45W1592740P2	PC Diffuser Lens	105°	<26	L1508mm	46.4W	5002lm	90+	2700-4000K	0-10V
U5141PC45W1592740P3	PC Diffuser Lens	105°	<26	L1508mm	46.4W	5002lm	90+	2700-4000K	DALI

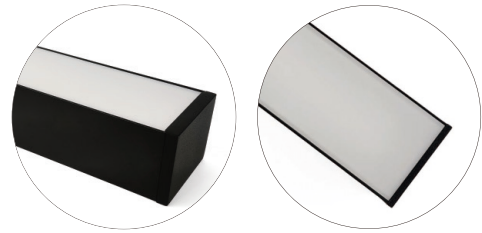
**DIMENSION**



Unit:mm[in]

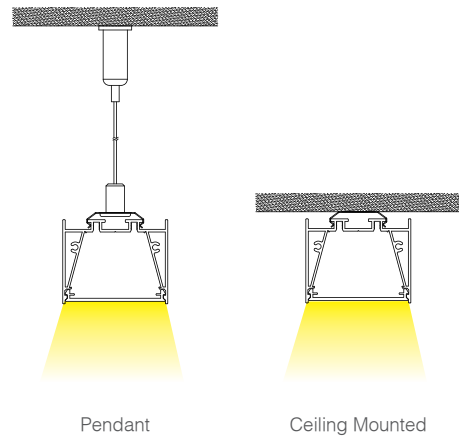


**LED CHIPS AND DRIVER OPTIONS**



PC Diffuser Lens

**INSTALLATIONS**



**ACCESSORIES & TOOLS**

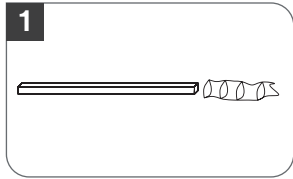


Aircraft Cable Pendant Kit

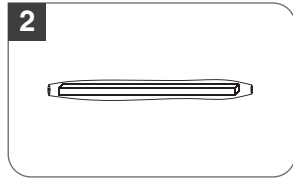


Ceiling Mounted Kit

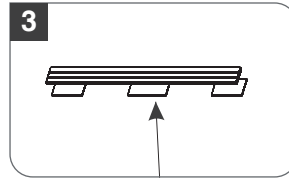
 **PACKAGING STEPS**



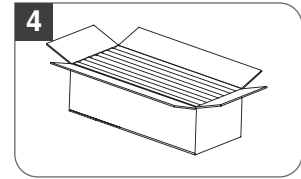
1 Put the product into PE bag.



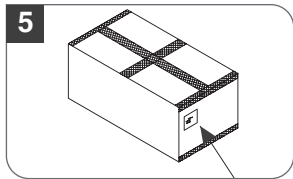
2 Seal the bag in two ends and label it.



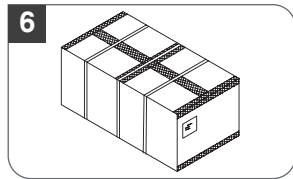
3 Separate the product layer by layer with foam.



4 Put the product and accessories bag into carton box.



5 Seal and label the box.



6 Use packing belt to pack. Add edge protectors if necessary.

 **PACKAGING INFORMATION**

Model No.	Product Size(mm)	Carton Size(mm)	Total Quantity(pcs)	Net Weight(kg)	Gross Weight(kg)
U514128-6	608*51*41	667*315*220	12	6.5	7
U514128-12	1208*51*41	1267*315*220	12	13	14.5
U514128-15	1508*51*41	1567*315*220	8	10.5	12
U514128-24	2408*51*41	2467*315*220	8	17	18.5

**Note:**

- Shipping materials: PE bags and carton box.
- The above quantity and weight are only for the illustrated packaging method. There will be differences in the quantity and weight with other packaging methods.

■ **RANGE OF APPLICATIONS**

General or local lighting in Office, Educational Institutions, Conference Rooms and many other workspaces.

■ **ELECTRIC GEAR**

Constant current 0-10V / DALI / Non-dim drivers, Settable white, Dual white / Dime2Warm, DMX, PWM lighting solution available.

